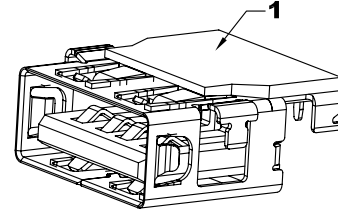
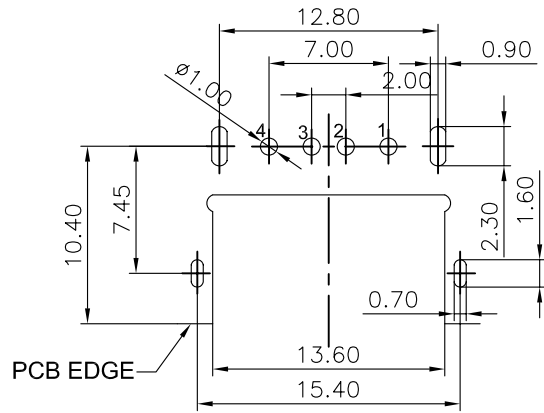
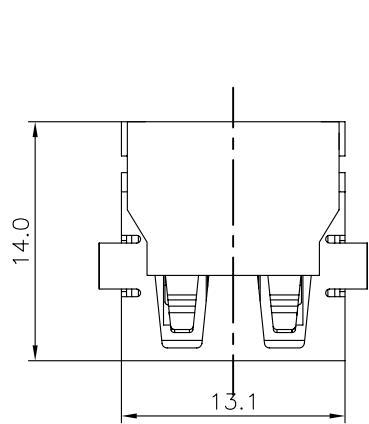


正式图 参考图 CUSTOMER DRAWING  
The requirements of environmental protection  
ROHS2 Halogen free

Mark	ECN NO.	DESCRIPTION	DESIGN	Date:
—	—	NEW VERSION	David Zhou	2014.06.09

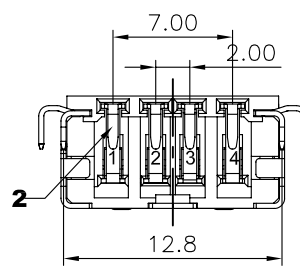
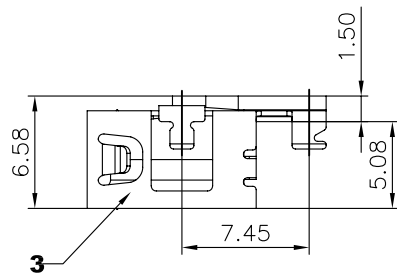
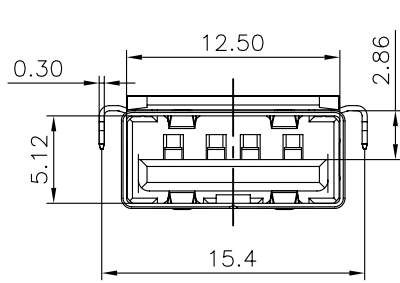


- NOTES:
- 1.Rating:DC30V 1.5A;
  - 2.Contact Resistance:≤30Milliohm
  - 3.Insulation Resistance:≥1000Megohm;
  - 4.Withstand Voltage:AC500V for one minute;
  - 5.Insertion force:35N Max,Extraction force:10N min
  - 6.Life test:1500 Cycles;
  - 7.Operating Temperature:-55°C~+105°C 85%RH Max;
  - 8.Storage Temperature:-55°C~+105°C 85%RH Max.

RECOMMENDED PCB LAYOUT  
TOP VIEW  
TOLERANCE:±0.05mm  
PCB THICKNESS:1.60±0.05mm

NO.	CODE	MATERIAL	COLOR	REMARK
3	CO	LCP UL94V-0	-	RoHS2&H.F Fit
2	DO	PA66 30%G/F UL94V-0	-	RoHS2 Fit
1	BO	PBT 30%G/F UL94V-0	-	RoHS2 Fit

TABLE A : Plactical Material



P/N: UBXXXXX-XXXX-XXXXXXX

- Model P/N
- Plactical Material (Choose From Table A)
- Housing Color
- 01:Black
  - 02:Red
  - 03:White
  - 04:Yellow
  - 40:Blue300C
  - 69:Blue306U
- Typ 20:usb2.0-A;
- Product salt mist
- A:Normal(8 Hours);
  - B:24Hours;
- Packing
- B:Tray;
  - R:Tape reel;
- Remark
- 0:Normal;
- Shell Material
- C:Brass C2680;
  - H:Spcc-sd;
  - S:SUS
- Plating Code
- 0:Bright Tin;
  - W:Matte Tin;
  - H:CONTACT AREA:GOLD FALSH,SOLDER AREA:Bright TIN80U"
  - J:CONTACT AREA:3U"GOLD,SOLDER AREA:Bright TIN80U"
  - K:CONTACT AREA:15U"GOLD,SOLDER AREA:Bright TIN80U"
  - L:CONTACT AREA:30U"GOLD,SOLDER AREA:Bright TIN80U"

NO.	DESCRIPTION	QTY	PARTS MATERIAL	PLATING OR COLOR	REMARK
3	SHIELD	1	Choose from P/N	Nickel Plated	X
2	TERMINAL	4	Copper Alloy	Plating:Cu40u"+Ni50u"Min.Selective Gold Plating.(Gold See Part No)	X
1	HOUSING	1	Choose from P/N	Choose from P/N item color	X

Tolerance	MODEL NAME:USB2.0 A/F 單層90度沈板DIP	DRAWING: David Zhou	
X.X ±0.30	MODEL No: UB1031W-XXXX-XXXXXXX	CHECKED: David Zhou	
X.XX ±0.20	SCALE:1:1	REVISION	SHEET
X.XXX ±0.10		A0	1/1
Angle ±3.0°	FILE: CD/LINGYANG		DATE: 2014.06.09
UNIT:mm	菱揚精密有限公司 Ling Yang Precision Co.,Ltd		DWG NO.UB1031W-A001