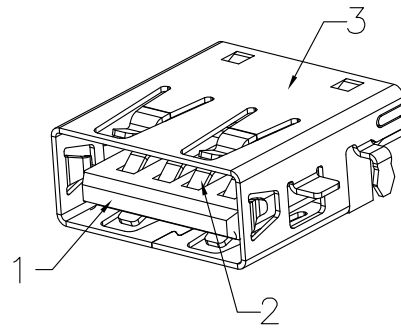
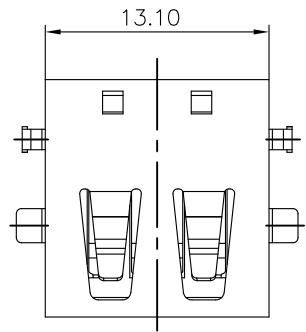


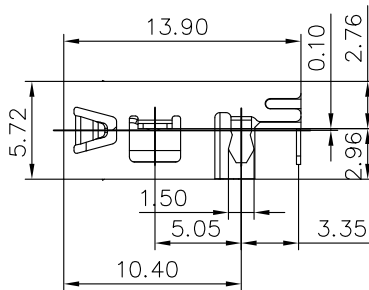
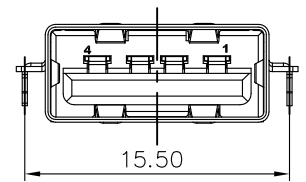
正式图 参考图 CUSTOMER DRAWING  
The requirements of environmental protection  
ROHS2 Halogen free

Mark	ECN NO.	DESCRIPTION	DESIGN	Date:
—	—	NEW VERSION	David Zhou	2014.06.30



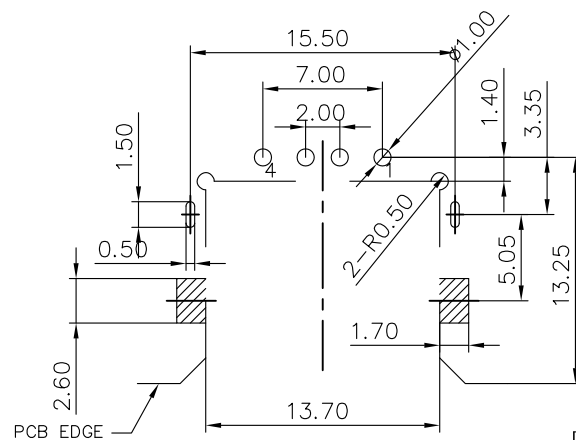
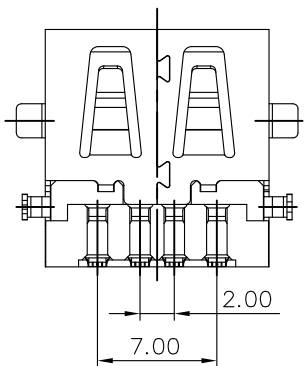
NOTES:

- Rating: DC30V 1.5A;
- Contact Resistance:  $\leq 30$  Milliohm
- Insulation Resistance:  $\geq 1000$  Megohm;
- Withstand Voltage: AC500V for one minute;
- Insertion force: 35N Max, Extraction force: 10N min
- Life test: 1500 Cycles;
- Operating Temperature:  $-55^{\circ}\text{C} \sim +105^{\circ}\text{C}$  85%RH Max;
- Storage Temperature:  $-55^{\circ}\text{C} \sim +105^{\circ}\text{C}$  85%RH Max.



NO.	CODE	MATERIAL	COLOR	REMARK
3	CO	LCP UL94V-0	-	RoHS2&H.F Fit
2	DO	PA66 30%G/F UL94V-0	-	RoHS2 Fit
1	BO	PBT 30%G/F UL94V-0	-	RoHS2 Fit

TABLE A : Plactical Material



P/N:

UBXXXXX-XXXX-XXXXXXX

Model P/N

Plactical Material (Choose From Table A)

Housing Color

- 01:Black
- 02:Red
- 03:White
- 04:Yellow
- 40:Blue300C
- 69:Blue306U

Typ: 20:usb2.0-A;

Product salt mist

- A:Normal(8 Hours);
- B:24Hours;

Packing

- B:Tray;
- R:Tape reel;

Remark

- 0:Normal;

Shell Material

- C:Brass C2680;
- H:Spcc-sd;
- S:SUS

Plating Code

- 0:Bright Tin;
- W:Matte Tin;
- H:CONTACT AREA:GOLD FALSH,SOLDER AREA:Bright TIN80U"
- J:CONTACT AREA:3U"GOLD,SOLDER AREA:Bright TIN80U"
- K:CONTACT AREA:15U"GOLD,SOLDER AREA:Bright TIN80U"
- L:CONTACT AREA:30U"GOLD,SOLDER AREA:Bright TIN80U"

RECOMMENDED PCB LAYOUT  
TOP VIEW

NO.	DESCRIPTION	QTY	PARTS MATERIAL	PLATING OR COLOR	REMARK
3	SHIELD	1	Choose from P/N	Nickel Plated	X
2	TERMINAL	4	Copper Alloy	Plating:Cu40u"+Ni50u"Min.Selective Gold Plating.(Gold See Part No)	X
1	HOUSING	1	Choose from P/N	Choose from P/N item color	X

Tolerance	MODEL NAME:USB2.0 A/F 單層90度沈板DIP	DRAWING: David Zhou	
X.X ±0.30	MODEL No: UB1032W-XXXX-XXXXXXX	CHECKED: David Zhou	
X.XX ±0.20	SCALE:1:1	REVISION	SHEET
X.XXX ±0.10		A0	1/1
Angle ±3.0°	DATE: 2014.06.30		APPROVED:Jacky Lee
UNIT:mm	FILE: CD/LINGYANG		DWG NO.UB1032W-A001
菱揚精密有限公司 Ling Yang Precision Co.,Ltd			