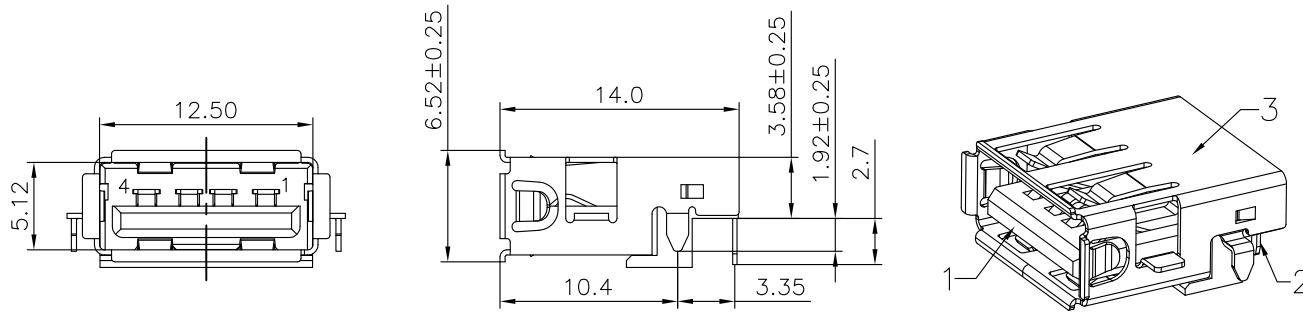


正式图 参考图 CUSTOMER DRAWING
The requirements of environmental protection
ROHS2 Halogen free

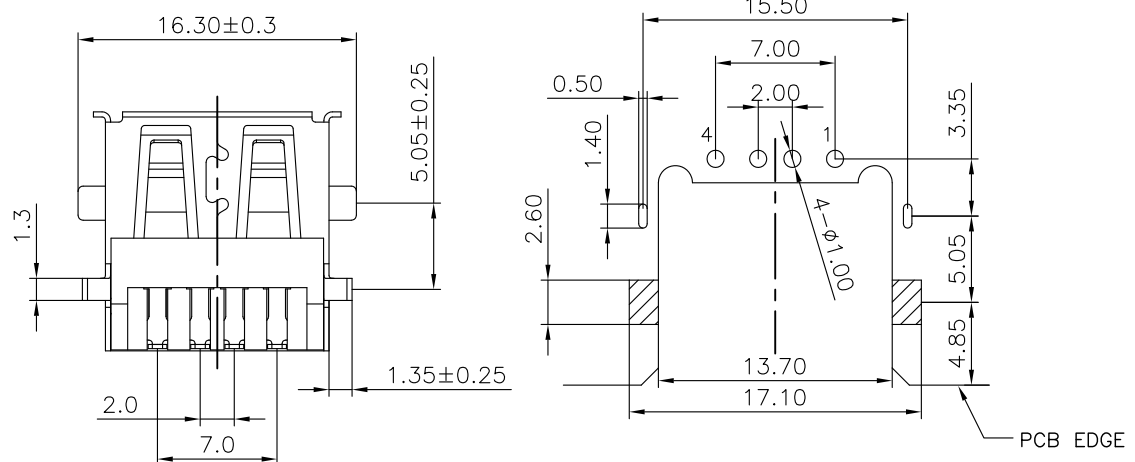
Mark	ECN NO.	DESCRIPTION	DESIGN	Date:
—	—	NEW VERSION	David Zhou	2014.07.15



NOTES:
 1.Rating:DC30V 1.5A;
 2.Contact Resistance:≤30Milliohm
 3.Insulation Resistance:≥1000Megohm;
 4.Withstand Voltage:AC500V for one minute;
 5.Insertion force:35N Max,Extraction force:10N min
 6.Life test:1500 Cycles;
 7.Operating Temperature:-55°C~+105°C 85%RH Max;
 8.Storage Temperature:-55°C~+105°C 85%RH Max.

NO.	CODE	MATERIAL	COLOR	REMARK
3	CO	LCP UL94V-0	-	RoHS2&H.F Fit
2	DO	PA66 30%G/F UL94V-0	-	RoHS2 Fit
1	BO	PBT 30%G/F UL94V-0	-	RoHS2 Fit

TABLE A : Plactical Material



RECOMMENDED PCB LAYOUT
 TOP VIEW
 TOLERANCE:±0.05mm
 PCB THICKNESS: 1.60±0.05mm

P/N: UBXXXXX-XXXX-XXXXXXX

Model P/N

Plactical Material (Choose From Table A)

Housing Color
01:Black
02:Red
03:White
04:Yellow
40:Blue300C
69:Blue306U

Typ
 20:usb2.0-A;

Product salt mist
A:Normal(8 Hours);
B:24Hours;

Packing
B:Tray; R:Tape reel;

Remark
 0:Normal;

Shell Material
C:Brass C2680;
H:Spcc-sd;
S:SUS

Plating Code
0:Bright Tin;
W:Matte Tin;
H:CONTACT AREA:GOLD FALSH,SOLDER AREA:Bright TIN80U"
J:CONTACT AREA:3U"GOLD,SOLDER AREA:Bright TIN80U"
K:CONTACT AREA:15U"GOLD,SOLDER AREA:Bright TIN80U"
L:CONTACT AREA:30U"GOLD,SOLDER AREA:Bright TIN80U"

NO.	DESCRIPTION	QTY	PARTS MATERIAL	PLATING OR COLOR	REMARK
3	SHIELD	1	Choose from P/N	Nickel Plated	X
2	TERMINAL	4	Copper Alloy	Plating:Cu40u"+Ni50u"Min.Selective Gold Plating.(Gold See Part No)	X
1	HOUSING	1	Choose from P/N	Choose from P/N item color	X

Tolerance X.X ±0.30 X.XX ±0.20 X.XXX ±0.10 Angle ±3.0°	MODEL NAME:USB2.0 A/F 單層90度沈板DIP MODEL No: UB1035W-XXXX-XXXXXXX	DRAWING: David Zhou CHECKED: David Zhou APPROVED:Jacky Lee DATE: 2014.07.15
UNIT:mm	SCALE:1:1 REVISION A0 SHEET 1/1	FILE: CD/LINGYANG DWG NO.UB1035W-A001

菱揚精密有限公司
 Ling Yang Precision Co.,Ltd