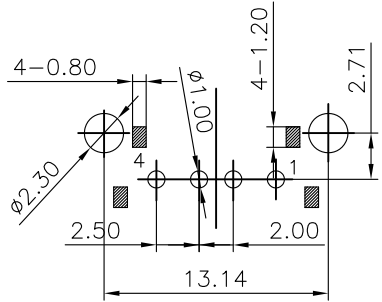
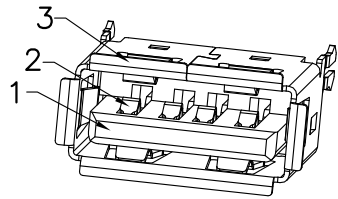
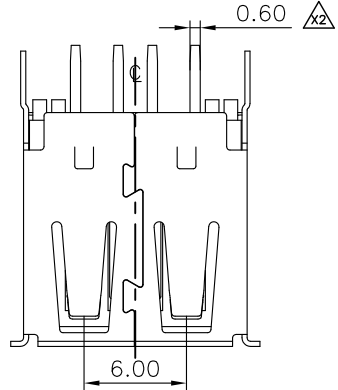


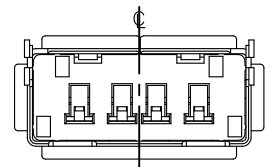
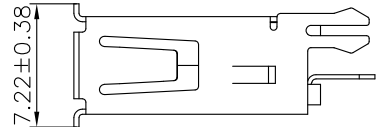
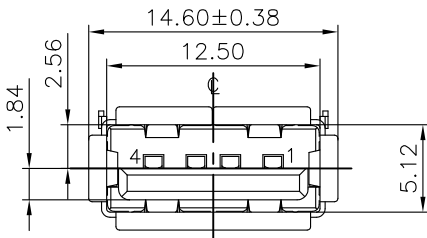
正式图 参考图 CUSTOMER DRAWING
The requirements of environmental protection
ROHS2 Halogen free

Mark	ECN NO.	DESCRIPTION	DESIGN	Date:
—	—	NEW VERSION	David Zhou	2014.02.07
△1	EN20140314001	Updated Version	David Zhou	2014.03.14
△2	EN20140425001	Updated Version	David Zhou	2014.04.25



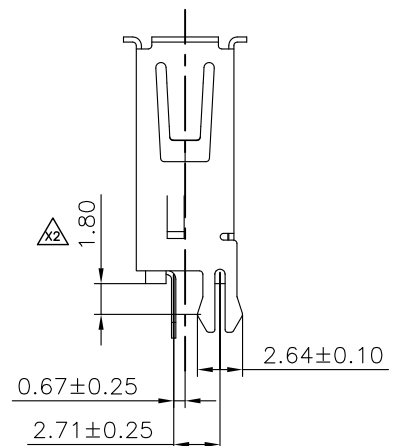
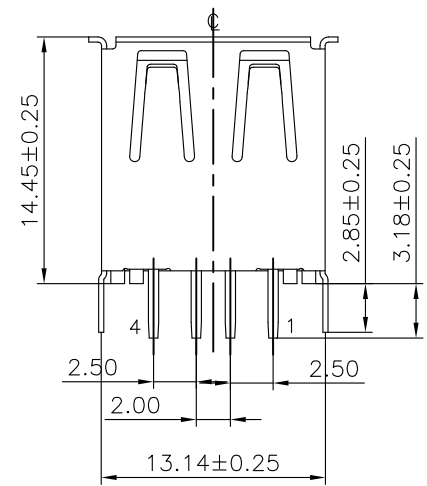
RECOMMENDED PCB LAYOUT
TOP VIEW
TOLERANCE: ±0.05mm
PCB THICKNESS: 1.20±0.05mm

- NOTES:
1. Rating: DC30V 1.5A;
2. Contact Resistance: ≤30Milliohm
3. Insulation Resistance: ≥1000Megohm;
4. Withstand Voltage: AC500V for one minute;
5. Insertion force: 35N Max, Extraction force: 10N min
6. Life test: 1500 Cycles;
7. Operating Temperature: -55°C~+105°C 85%RH Max;
8. Storage Temperature: -55°C~+105°C 85%RH Max.



NO.	CODE	MATERIAL	COLOR	REMARK
3	CO	LCP UL94V-0	BLACK	RoHS2&H.F Fit
2	DO	PA66 30%G/F UL94V-0	BLACK	RoHS2 Fit
1	BO	PBT 30%G/F UL94V-0	BLACK	RoHS2 Fit

TABLE A : Plactical Material



P/N: UBXXXX-XXXX-XXXXXXX

- Model P/N: _____
Plactical Material (Choose From Table A) _____
Housing Color _____
01:Black
02:Red
03:White
04:Yellow
40:Blue300C
69:Blue306U
 Typ: 20:usb2.0-A;
 Product salt mist: _____
A:Normal(8 Hours);
B:24Hours;
C:48Hours
 Packing: _____
B:Tray; R:Tape reel;
 Remark: _____
0:Normal;
 Shell Material: _____
C:Brass C2680;
H:Spcc-sd;
S:SUS
 Plating Code: _____
0:Bright Tin;
W:Matte Tin;
A:CONTACT AREA:GOLD FALSH,SOLDER AREA:MATTE TIN80U"
B:CONTACT AREA:3U"GOLD,SOLDER AREA:MATTE TIN80U"
E:CONTACT AREA:15U"GOLD,SOLDER AREA:MATTE TIN80U"
G:CONTACT AREA:30U"GOLD,SOLDER AREA:MATTE TIN80U"

NO.	DESCRIPTION	QTY	PARTS MATERIAL	PLATING OR COLOR	REMARK
3	SHIELD	1	Choose from P/N	Nickel Plated	X
2	TERMINAL	4	Copper Alloy	Selective Gold Plating.(Gold See Part No)	X
1	HOUSING	1	Choose from P/N	Choose from P/N item color	X

Tolerance X.X ±0.30 X.XX ±0.20 X.XXX ±0.10 Angle ±3.0°	MODEL NAME:USB2.0 A/F 單層180度DIP MODEL No: UB1017W-XXXX-XXXXXXX	DRAWING: David Zhou CHECKED: David Zhou APPROVED:Jacky Lee DATE: 2014.02.07
UNIT:mm	SCALE:1:1 REVISION A2 SHEET 1/1	FILE: CD/LINGYANG DWG NO.UB1017W-A001

菱揚精密有限公司
Ling Yang Precision Co.,Ltd