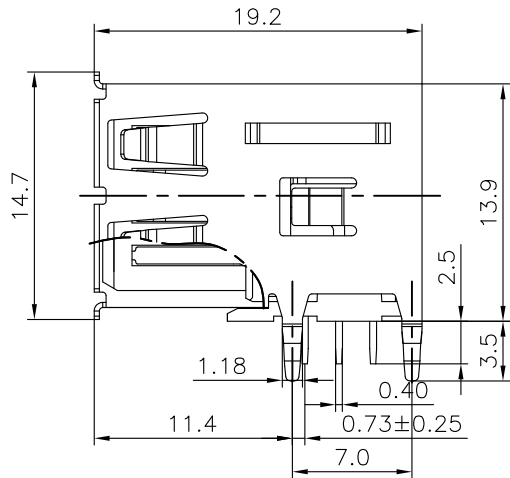
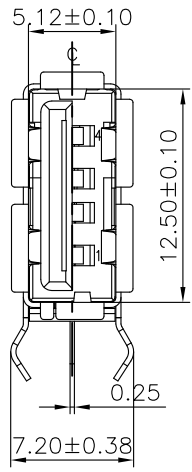


正式图 参考图 CUSTOMER DRAWING
The requirements of environmental protection
ROHS2 Halogen free

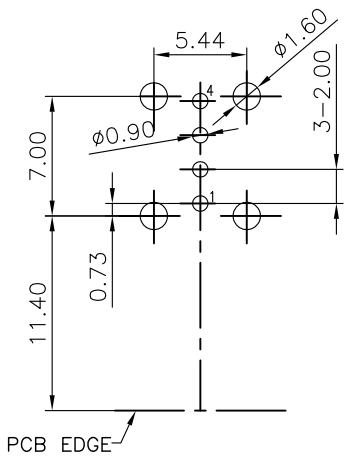
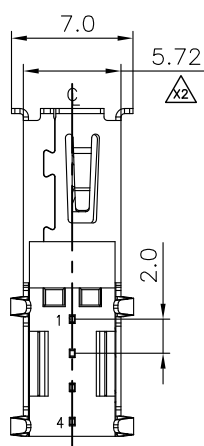
Mark	ECN NO.	DESCRIPTION	DESIGN	Date:
—	—	NEW VERSION	David Zhou	2014.01.12
△1	EN20140522001	UPDATED VERSION	David Zhou	2014.05.22
△2	EN20140724001	Add dimensioning	David Zhou	2014.07.24



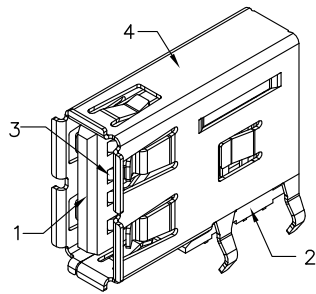
NOTES:
1.Rating:DC30V 1.5A;
2.Contact Resistance:≤30Milliohm
3.Insulation Resistance:≥1000Megohm;
4.Withstand Voltage:AC500V for one minute;
5.Insertion force:35N Max,Extraction force:10N min
6.Life test:1500 Cycles;
7.Operating Temperature:-55°C~+105°C 85%RH Max;
8.Storage Temperature:-55°C~+105°C 85%RH Max.

NO.	CODE	MATERIAL	COLOR	REMARK
4	LO	PA9T 30%G/F UL94V-0	-	RoHS2 Fit
3	CO	LCP UL94V-0	-	RoHS2&H.F Fit
2	DO	PA66 30%G/F UL94V-0	-	RoHS2 Fit
1	BO	PBT 30%G/F UL94V-0	-	RoHS2 Fit

TABLE A : Plastical Material



RECOMMENDED PCB LAYOUT
TOP VIEW
TOLERANCE:±0.05mm



P/N: UBXXXXX-XXXX-XXXXXXX

- Model P/N
- Plastical Material (Choose From Table A)
- Housing Color
 - 01:Black
 - 02:Red
 - 03:White
 - 04:Yellow
 - 40:Blue300C
 - 69:Blue306U
 - 23:Blue285C
- Typ
 - 20:usb2.0-A;
- Product salt mist
 - A:Normal(8 Hours);
 - B:24Hours;
 - C:48Hours;
- Packing
 - B:Tray; R:Tape reel;
- Remark
 - 0:Normal;
- Shell Material
 - C:Brass C2680;
 - H:Spcc-sd;
 - S:SUS
- Plating Code
 - 0:Bright Tin;
 - W:Matte Tin;
 - A:CONTACT AREA:GOLD FALSH,SOLDER AREA:MATTE TIN80U"
 - B:CONTACT AREA:3U"GOLD,SOLDER AREA:MATTE TIN80U"
 - G:CONTACT AREA:30U"GOLD,SOLDER AREA:MATTE TIN80U"

NO.	DESCRIPTION	QTY	PARTS MATERIAL	PLATING OR COLOR	REMARK
4	SHIELD	1	Choose from P/N	Nickel Plated	X
3	TERMINAL	4	Copper Alloy	Selective Gold Plating.(Gold See Part No)	X
2	HOUSING COVER	1	Choose from P/N	Choose from P/N item color	X
1	HOUSING	1	Choose from P/N	Choose from P/N item color	X

Tolerance	MODEL NAME:USB2.0 A/F 單層90度側立DIP	DRAWING: David Zhou	
X.X ±0.30	MODEL No: UB1013W-XXXX-XXXXXXX	CHECKED: David Zhou	
X.XX ±0.20	SCALE:1:1	REVISION	SHEET
X.XXX ±0.10		A1	1/1
Angle ±3.0°	UNIT:mm		DATE: 2014.01.12
菱揚精密有限公司 Ling Yang Precision Co.,Ltd		FILE: CD/LINGYANG	
		DWG NO.UB1013W-A001	