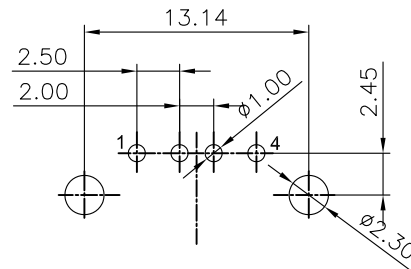
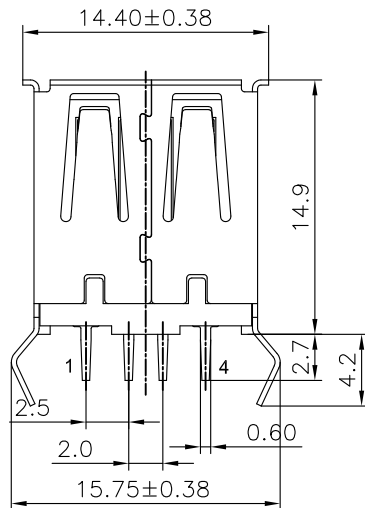
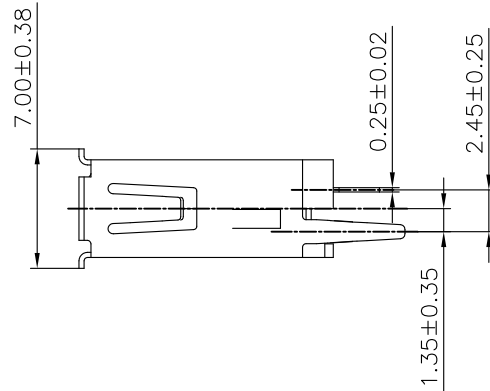
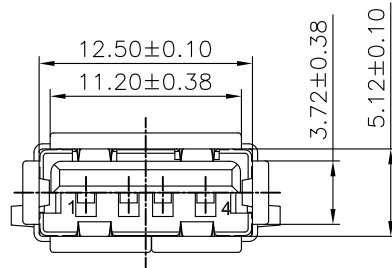
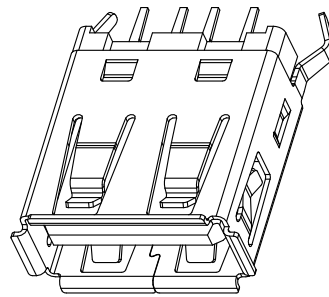
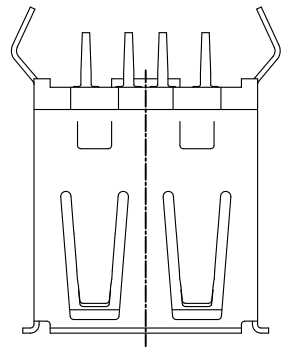


正式图 参考图 CUSTOMER DRAWING
The requirements of environmental protection
ROHS2 Halogen free

Mark	ECN NO.	DESCRIPTION	DESIGN	Date:
—	—	NEW VERSION	David Zhou	2014.07.31



RECOMMENDED PCB LAYOUT
TOP VIEW
TOLERANCE: ±0.05mm
PCB THICKNESS: 1.60±0.05mm

- NOTES:
1.Rating:DC30V 1.5A;
2.Contact Resistance:≤30Milliohm
3.Insulation Resistance:≥1000Megohm;
4.Withstand Voltage:AC500V for one minute;
5.Insertion force:35N Max,Extraction force:10N min
6.Life test:1500 Cycles;
7.Operating Temperature:-55°C~+105°C 85%RH Max;
8.Storage Temperature:-55°C~+105°C 85%RH Max.

NO.	CODE	MATERIAL	COLOR	REMARK
3	CO	LCP UL94V-0	BLACK	RoHS2&H.F Fit
2	DO	PA66 30%G/F UL94V-0	BLACK	RoHS2 Fit
1	BO	PBT 30%G/F UL94V-0	BLACK	RoHS2 Fit

TABLE A : Plactical Material

P/N: UBXXXXX-XXXX-XXXXXXX

- Model P/N
Plactical Material (Choose From Table A)
Housing Color
01:Black
02:Red
03:White
04:Yellow
40:Blue300C
69:Blue306U
 Typ
 20:usb2.0-A;
 Product salt mist
A:Normal(8 Hours);
B:24Hours;
C:48Hours
 Packing
B:Tray; R:Tape reel;
 Remark
 Shell Material
C:Brass C2680;
H:Spcc-sd;
S:SUS
 Plating Code
0:Bright Tin;
W:Matte Tin;
H:CONTACT AREA:GOLD FALSH,SOLDER AREA:Bright TIN80U"
J:CONTACT AREA:3U"GOLD,SOLDER AREA:Bright TIN80U"
K:CONTACT AREA:15U"GOLD,SOLDER AREA:Bright TIN80U"
L:CONTACT AREA:30U"GOLD,SOLDER AREA:Bright TIN80U"

NO.	DESCRIPTION	QTY	PARTS MATERIAL	PLATING OR COLOR	REMARK
3	SHIELD	1	Choose from P/N	Nickel Plated 30u"MIN.	t=0.30mm
2	TERMINAL	4	Copper Alloy	Selective Gold Plating.(Gold See Part No)	X
1	HOUSING	1	Choose from P/N	Choose from P/N item color	X

Tolerance	MODEL NAME:USB2.0 A/F 單層180度DIP	DRAWING: David Zhou
X.X ±0.30	MODEL No: UB1036W-B001-20AHSOB	CHECKED: David Zhou
X.XX ±0.20	SCALE:1:1 REVISION A0 SHEET 1/1	APPROVED:Jacky Lee
X.XXX ±0.10		DATE: 2014.07.31
Angle ±3.0°	UNIT:mm	FILE: CD/LINGYANG
	菱揚精密有限公司 Ling Yang Precision Co.,Ltd	DWG NO.UB1036W-A002