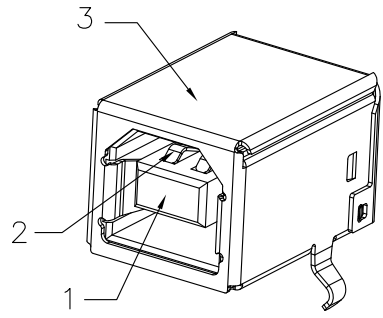
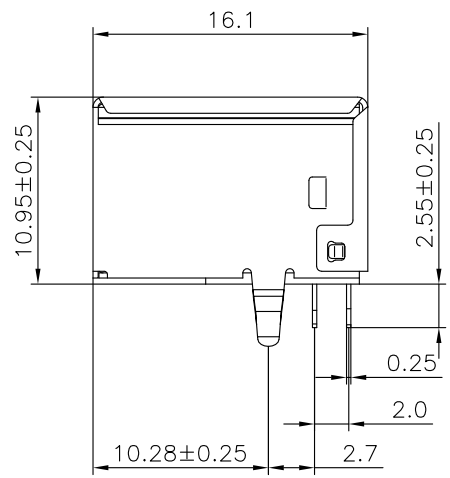
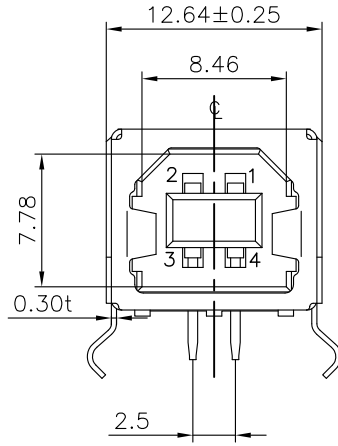


正式图 参考图 CUSTOMER DRAWING
The requirements of environmental protection
ROHS2 Halogen free

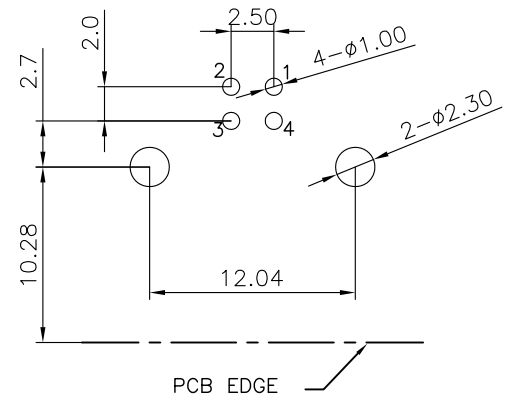
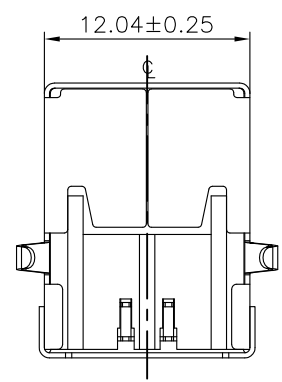
Mark	ECN NO.	DESCRIPTION	DESIGN	Date:
—	—	NEW VERSION	David Zhou	2014.01.15
△2	EN140228-001	Add Option	David Zhou	2014.03.28
△3	EN140530-001	Add Option	David Zhou	2014.05.30



NOTES:
1.Rating:DC30V 1.5A;
2.Contact Resistance:≤30Milliohm
3.Insulation Resistance:≥1000Megohm;
4.Withstand Voltage:AC500V for one minute;
5.Insertion force:35N Max,Extraction force:10N min
6.Life test:1500 Cycles;
7.Operating Temperature:-55°C~+105°C 85%RH Max;
8.Storage Temperature:-55°C~+105°C 85%RH Max.

4	LO	PA9T 30%G/F UL94V-0	BLACK	RoHS2 Fit
3	CO	LCP UL94V-0	BLACK	RoHS2&H.F Fit
2	DO	PA66 30%G/F UL94V-0	BLACK	RoHS2 Fit
1	BO	PBT 30%G/F UL94V-0	BLACK	RoHS2 Fit
NO.CODE		MATERIAL	COLOR	REMARK

TABLE A : Plactical Material



RECOMMENDED PCB LAYOUT
TOP VIEW
TOLERANCE:±0.05mm
PCB THICKNESS: 1.60±0.05mm

P/N: UBXXXXX-XXXX-XXXXXXX
Model P/N
Plactical Material (Choose From Table A)
Housing Color
□01:Black
□02:Red
□03:White
□04:Yellow
□40:Blue300C
□69:Blue306U
Typ
20:usb2.0-A;
2B:usb2.0-B.
Product salt mist
□A:Normal(8 Hours);
□B:24Hours;
□C:48Hours
Packing
□B:Tray; □R:Tape reel;
Remark
0: Normal
1: Shell Gold Plated
Shell Material
□C:Brass C2680;
□H:Spcc-sd;
□S:SUS
Plating Code
□0:Bright Tin;
□W:Matte Tin;
□A:CONTACT AREA:GOLD FALSH,SOLDER AREA:MATTE TIN80U"
□B:CONTACT AREA:3U"GOLD,SOLDER AREA:MATTE TIN80U"
□E:CONTACT AREA:15U"GOLD,SOLDER AREA:MATTE TIN80U"
□G:CONTACT AREA:30U"GOLD,SOLDER AREA:MATTE TIN80U"

3	SHIELD	1	Choose from P/N	Nickel Plated/Gold Plated	X
2	TERMINAL	4	Copper Alloy	Selective Gold Plating.(Gold See Part No)	X
1	HOUSING	1	Choose from P/N	Choose from P/N item color	X
NO.	DESCRIPTION	QTY	PARTS MATERIAL	PLATING OR COLOR	REMARK

Tolerance X.X ±0.30 X.XX ±0.20 X.XXX ±0.10 Angle ±3.0°	MODEL NAME:USB2.0 B TYPE 單層90度DIP MODEL No: UB1015W-XXXX-XXXXXXX	DRAWING: David Zhou CHECKED: David Zhou APPROVED:Jacky Lee DATE: 2014.01.21
UNIT:mm	SCALE:1:1 REVISION A3 SHEET 1/1	FILE: CD/LINGYANG DWG NO.UB1015W-A001
菱揚精密有限公司 Ling Yang Precision Co.,Ltd		