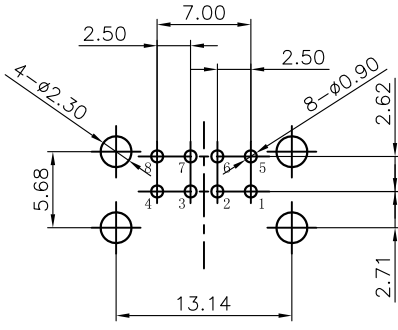
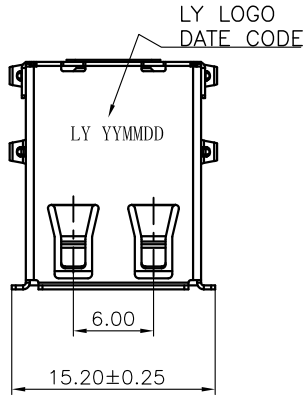
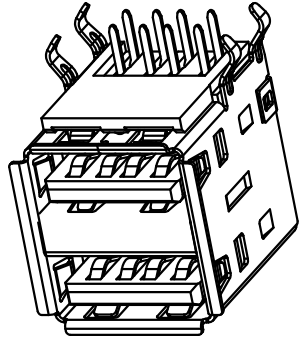


正式图 参考图  
 CUSTOMER DRAWING  
 Requirements of environmental protection  
 ROHS2 Halogen free

LY YYMMDD  
 LINGYANG DATE  
 YEAR MONTH



RECOMMEND P.C.B .LAYOUT  
 (T=1.60±0.05)

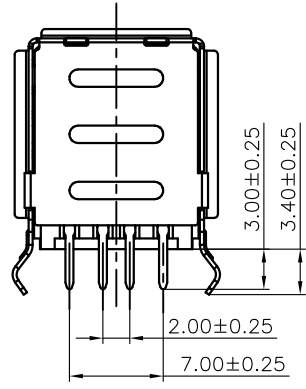
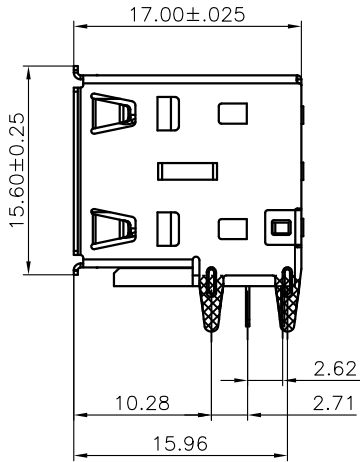
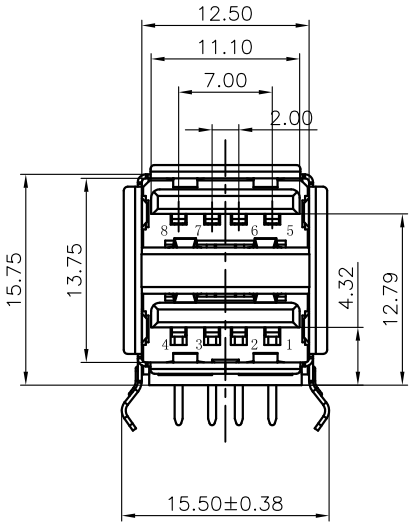


NOTES:

- 1.Rating:DC30V 1.5A;
- 2.Contact Resistance:≤30Milliohm
- 3.Insulation Resistance:≥1000Megohm;
- 4.Withstand Voltage:AC500V for one minute;
- 5.Insertion force:35N Max,Extraction force:10N min
- 6.Life test:1500 Cycles;
- 7.Operating Temperature:-55°C~+105°C 85%RH Max;
- 8.Storage Temperature:-55°C~+105°C 85%RH Max.

NO.	CODE	MATERIAL	COLOR	REMARK
4				
3	CO	LCP UL94V-0	BLACK	RoHS2&H.F Fit
2	DO	PA66 30%G/F UL94V-0	BLACK	RoHS2 Fit
1	BO	PBT 30%G/F UL94V-0	BLACK	RoHS2 Fit

TABLE A : Plactical Material



P/N:

UBXXXXX-XXXX-XXXXXXX

Model P/N  
 Plactical Material  
 (Choose From Table A)

Housing Color  
01:Black  
02:Red  
03:White  
04:Yellow  
40:Blue300C

Typ  
 20:usb2.0-A;

Product salt mist  
A:Normal;  
B:24Hours;

Packing

B:Tray; R:Tape reel;  
 Remark

Shell Material  
H:Spcc-sd;  
C:Brass C2680;

Plating Code

A:CONTACT AREA:GOLD,FALSH,SOLDER AREA:MATTE TIN80U"  
B:CONTACT AREA:3U"GOLD,SOLDER AREA:MATTE TIN80U"  
C:CONTACT AREA:5U"GOLD,SOLDER AREA:MATTE TIN80U"  
D:CONTACT AREA:10U"GOLD,SOLDER AREA:MATTE TIN80U"  
E:CONTACT AREA:15U"GOLD,SOLDER AREA:MATTE TIN80U"  
F:CONTACT AREA:20U"GOLD,SOLDER AREA:MATTE TIN80U"  
G:CONTACT AREA:30U"GOLD,SOLDER AREA:MATTE TIN80U"

NO.	DESCRIPTION	QTY	PARTS MATERIAL	PLATING OR COLOR	REMARK
4	SHIELD	1	SPCC	Nickel Plated	X
3	TERMINAL	8	Copper Alloy	Selective Gold Plating.(Gold See Part No)	X
2	MIDDLE BULLET	1	SUS201-H	X	X
1	HOUSING	1	Choose from P/N	Choose from P/N item color	X

Tolerance X.X ±0.30 X.XX ±0.20 X.XXX ±0.10 Angle ±3.0°	MODEL NAME:USB2.0 雙層CONNECTOR MODEL No: UB2020S-XXXX-XXXXXXX	DRAWING: David Zhou CHECKED: David Zhou
SCALE:1:1	REVISION A0	SHEET 1/1
UNIT:mm	菱揚精密有限公司 Ling Yang Precision Co.,Ltd	APPROVED:Jacky Lee DATE: 2013.12.18 FILE: CD/LINGYANG DWG NO.UB2020S-A001