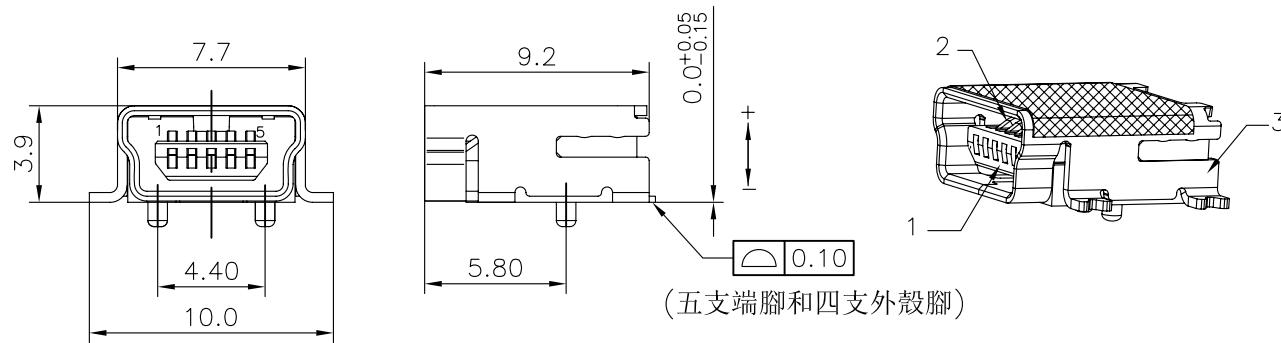


正式图 参考图 CUSTOMER DRAWING  
The requirements of environmental protection:  
ROHS2 Halogen free

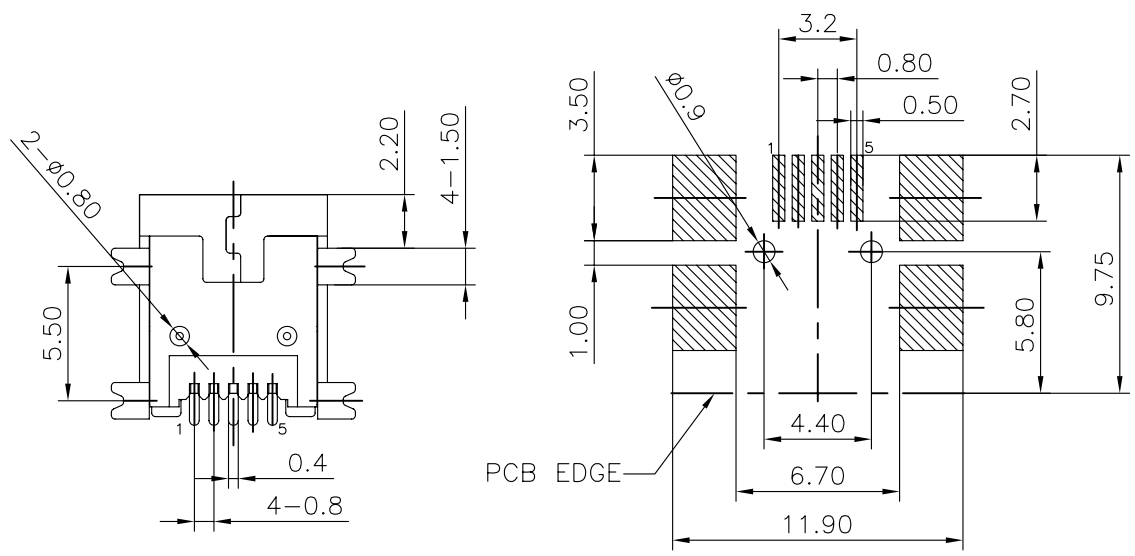
Mark	ECN NO.	DESCRIPTION	DESIGN	Date:
—	—	NEW VERSION	David Zhou	2014.01.03



NOTES:  
1.Rating:DC30V 1A  
2.Contact Resistance:≤50Milliohm;  
3.Insulation Resistance:≥1000Megohm;  
4.Withstand Voltage:AC500V for one minute;  
5.Insertion force:35N Max,Extraction force:7N min  
6.Life test:5000 Cycles;  
7.Operating Temperature:-55°C~+105°C 85%RH Max;  
8.Storage Temperature:-55°C~+105°C 85%RH Max.

NO.	CODE	MATERIAL	COLOR	REMARK
3	L7	PA6T 30%G/F UL94V-0	BLACK	RoHS2&H.F Fit
2	CO	LCP UL94V-0	BLACK	RoHS2&H.F Fit
1	DO	PA66 30%G/F UL94V-0	BLACK	RoHS2 Fit

TABLE A : Plastical Material



RECOMMENDED PCB LAYOUT  
TOP VIEW  
TOLERANCE:±0.05mm  
PCB THICKNESS: 0.80±0.05mm

P/N: UBXXXXX-XXXX-XXXXXXX

Model P/N

Plastical Material (Choose From Table A)

Housing Color  
01:Black  
02:Red  
03:White  
04:Yellow  
40:Blue300C

Typ  
MB:MINI-B.

Product salt mist  
A:Normal(8 Hours);  
B:24Hours;

Packing  
B:Tray; R:Tape reel;

Remark  
0:Normal;

Shell Material  
C:Brass C2680;  
H:Spcc-sd;  
S:SUS

Plating Code  
0:Bright Tin;  
W:Matte Tin;  
A:CONTACT AREA:GOLD FALSH,SOLDER AREA:MATTE TIN80U"  
B:CONTACT AREA:3U"GOLD,SOLDER AREA:MATTE TIN80U"

NO.	DESCRIPTION	QTY	PARTS MATERIAL	PLATING OR COLOR	REMARK
3	SHIELD	1	Choose from P/N	Nickel Plated	X
2	TERMINAL	5	Copper Alloy	Selective Gold Plating.(Gold See Part No)	X
1	HOUSING	1	Choose from P/N	Choose from P/N item color	X

Tolerance X.X ±0.30 X.XX ±0.20 X.XXX ±0.10 Angle ±3.0°	MODEL NAME:MINI USB90度SMT B TYPE MODEL No: UB1008W-XXXX-XXXXXXX	DRAWING: David Zhou CHECKED: David Zhou APPROVED: Jacky Lee DATE: 2014.01.03
	SCALE:1:1	REVISION A0
UNIT:mm	菱揚精密有限公司 Ling Yang Precision Co.,Ltd	SHEET 1/1 FILE: CD/LINGYANG DWG NO.UB1008W-A001