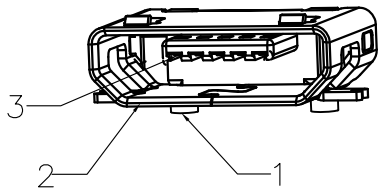
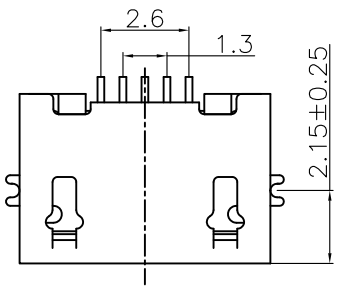
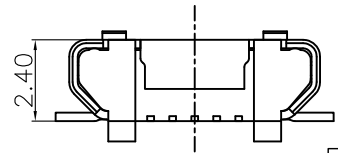
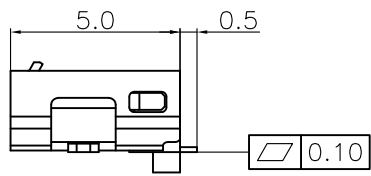
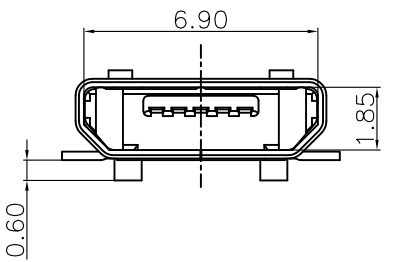


正式图 参考图 CUSTOMER DRAWING
The requirements of environmental protection
ROHS2 Halogen free

Mark	ECN NO.	DESCRIPTION	DESIGN	Date:
—	—	NEW VERSION	David Zhou	2014.11.02

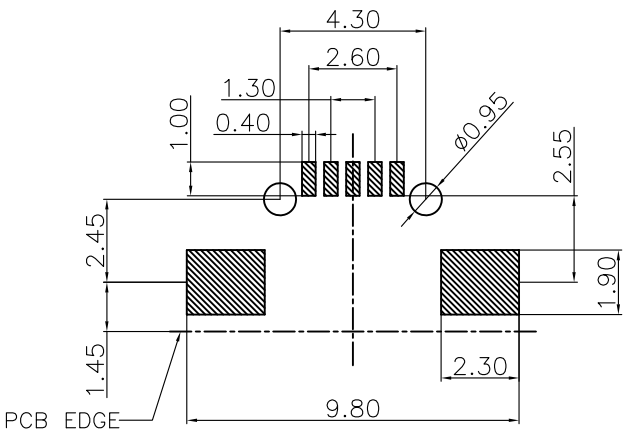
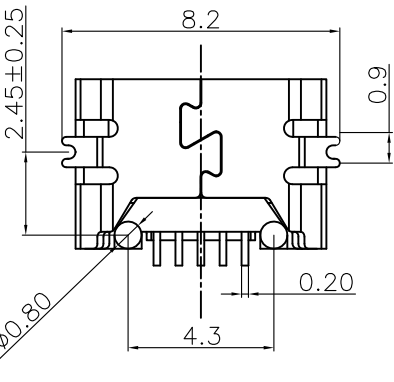


NOTES:
1. Rating: DC30V 1A
2. Contact Resistance: ≤50Milliohm;
3. Insulation Resistance: ≥1000Megohm;
4. Withstand Voltage: AC500V for one minute;
5. Insertion force: 35N Max, Extraction force: 7N min
6. Life test: 5000 Cycles;
7. Operating Temperature: -55°C~+105°C 85%RH Max;
8. Storage Temperature: -55°C~+105°C 85%RH Max.



3				
2	C0	LCP UL94V-0	BLACK	RoHS2&H.F Fit
1	B0	PBT 30%G/F UL94V-0	BLACK	RoHS2 Fit
NO.	CODE	MATERIAL	COLOR	REMARK

TABLE A : Plastical Material



RECOMMENDED PCB LAYOUT
TOP VIEW
TOLERANCE: ±0.05mm
PCB THICKNESS: 0.80±0.05mm

P/N:

UBXXXX-XXXX-XXXXXXXX

Model P/N
Plastical Material (Choose From Table A)
Housing Color
Typ
Product salt mist
Packing
Remark
Shell Material
Plating Code

B: Tray; R: Tape reel;
 0: Normal;
 S: SUS
 H: CONTACT AREA: GOLD, FALSH, SOLDER AREA: Bright TIN80U"
 J: CONTACT AREA: 3U"GOLD, SOLDER AREA: Bright TIN80U"
 K: CONTACT AREA: 15U"GOLD, SOLDER AREA: Bright TIN80U"
 L: CONTACT AREA: 30U"GOLD, SOLDER AREA: Bright TIN80U"
 A: Normal(8 Hours);
 B: 24Hours;

3	SHIELD	1	Choose from P/N	Nickel Plated	X
2	TERMINAL	5	Copper Alloy	Selective Gold Plating.(Gold See Part No)	X
1	HOUSING	1	Choose from P/N	Choose from P/N item color	X
NO.	DESCRIPTION	QTY	PART'S MATERIAL	PLATING OR COLOR	REMARK

Tolerance	MODEL NAME: MICRO USB90度SMT B TYPE	DRAWING: David Zhou
X.X ±0.30	MODEL No: UB1034N-XXXX-XXXXXXX	CHECKED: David Zhou
X.XX ±0.20	SCALE: 1:1	APPROVED: Jacky Lee
X.XXX ±0.10		DATE: 2014.11.02
Angle ±3.0°	REVISION A0	SHEET 1/1
UNIT: mm	菱揚精密有限公司 Ling Yang Precision Co., Ltd	
		FILE: CD/LINGYANG DWG NO. UB1034N-A001