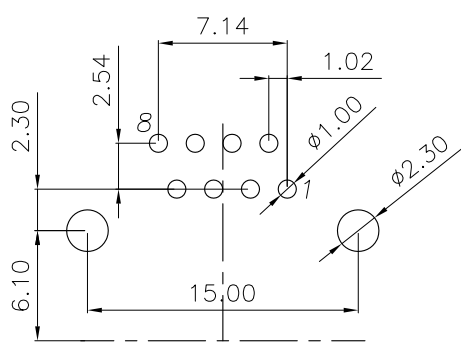
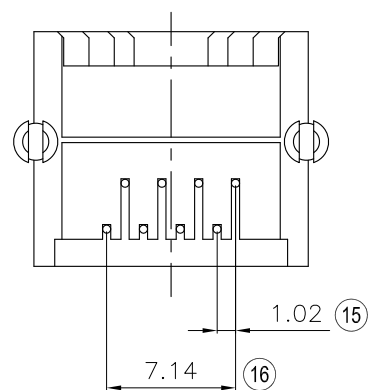
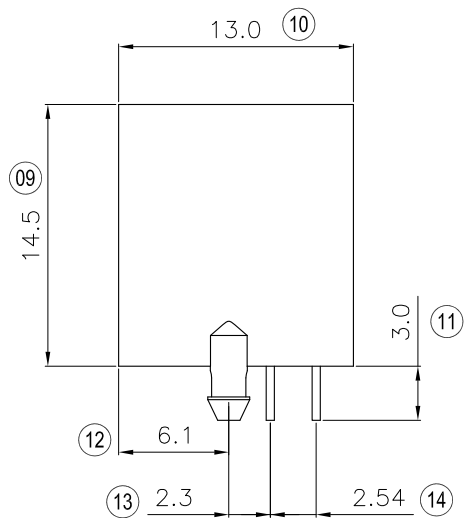
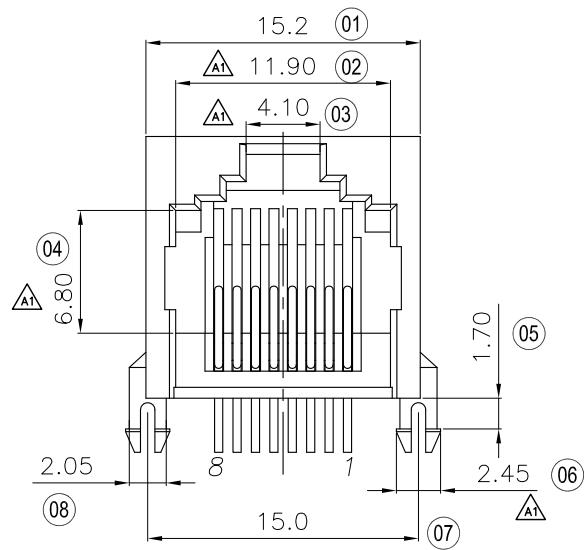


正式图 参考图 CUSTOMER DRAWING  
The requirements of environmental protection  
ROHS2 Halogen free

Mark	ECN NO.	DESCRIPTION	DESIGN	Date:
—	—	NEW VERSION	David Zhou	2013.11.19
△	EN20140113001	Add dimensioning	David Zhou	2014.06.02



RECOMMENDED PCB LAYOUT  
TOP VIEW  
TOLERANCE: ±0.05mm  
PCB THICKNESS: 1.60±0.05mm

SPECIFICATION:

Electrical:  
Current Rating: 1.5Amp max  
Voltage Rating: 150VAC max  
Insulation Resistance: 500 megohms min  
Contact Resistance: 30 milliohms max  
Withstanding Voltage: 1000 VAC  
Mechanical:  
Durability: 750 Cycles  
Operating Temperature: -40°C ~ +70°C  
Storage Temperature: -50°C ~ +75°C  
Contact Normal Force: 100g Minimum  
Soldering Temperature:  
260+/-5°C, 5sec/95% Areabe covered  
Withstand Temperature: 270+/-5°C, 5sec No stick tin melting phenomenon

P/N:

- Model P/N: RJ1005W-XXXX-XXXX00B
- Plastical Material:
    - B0: PBT4815 15%GF, UL94-V0 ROHS
    - B4: PBT5615 15%GF, UL94-V0 ROHS&H.F
    - D0: PA66 30%GF, UL94-V0 ROHS
  - Button Color:
    - 01: Black
    - 02: Red(485C)
    - 03: White
    - 04: Yellow(114C)
    - 08: Gray(Cool Gray2C)
  - Packing:
    - B: Tray
  - Chocolate: LED Color Options Table
  - Plating Code:
    - 00: Gold Flash
    - 01: 6u"
    - 02: 15u"
    - 03: 30u"
    - 04: 50u"
  - Contacts:
    - 2C: 2Pin Contacts
    - 4C: 4Pin Contacts
    - 8C: 8Pin Contacts
    - 6C: 6Pin Contacts

2	TERMINAL	8	Phosphor Bronze Dia 0.45mm	Gold 1u" (Min) on contact area; Nickel plated under over all.(Gold See Part No)	-
1	Housing	1	Choose from P/N	Choose from P/N item color	-
NO.	DESCRIPTION	QTY	PARTS MATERIAL	PLATING OR COLOR	REMARK

Tolerance	MODEL NAME: RJ45 CONNECTOR	DRAWING: David Zhou
X.X ±0.30	MODEL No: RJ1005W-XXXX-XXXX00B	CHECKED: David Zhou
X.XX ±0.20	SCALE: 1:1	APPROVED: Jacky Lee
X.XXX ±0.10	REVISION A1	DATE: 2013.11.19
Angle ±3.0°	SHEET 1/1	FILE: CD/LINGYANG
UNIT: mm	菱揚精密有限公司 Ling Yang Precision Co., Ltd	DWG NO. RJ1005W-A001