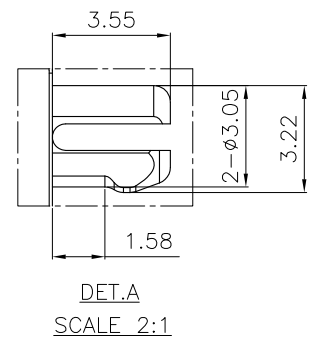
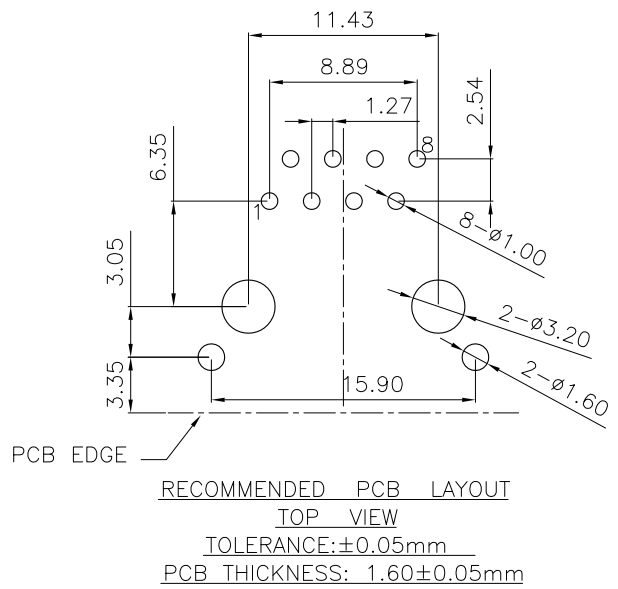
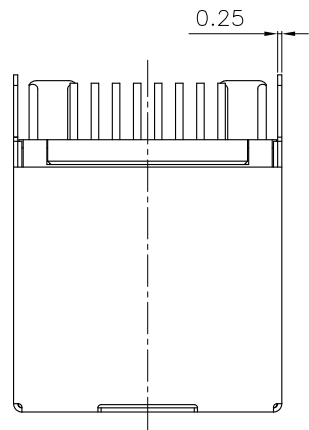
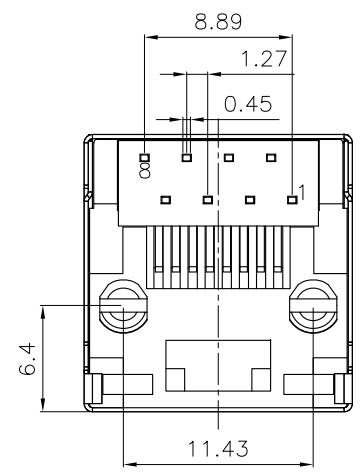
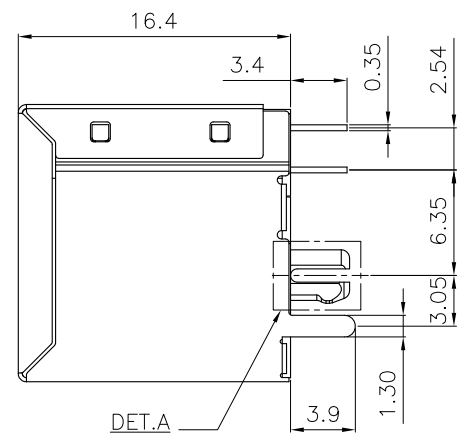
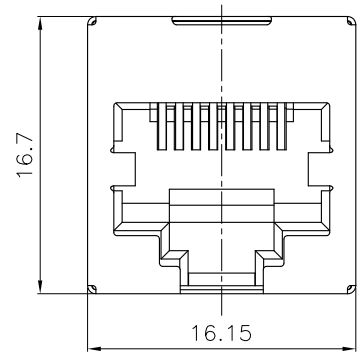


A  
B  
C  
D  
E  
F



SPECIFICATION:  
Electrical:  
Current Rating:1.5Amp max  
Voltage Rating:150VAC max  
Insulation Resistance:500 megohms min  
Contact Resistance:50 milliohms max  
Withstanding Voltage:1000 VAC  
Mechanical:  
Durability:750 Cycles  
Operating Temperature:-40℃~+70℃  
Storage Temperature:-50℃~+75℃  
Contact Normal Force:100g Minimum  
Soldering Temperature:  
260+/-5℃,5sec/95%Areabe covered  
Withstand Temperature: 270+/-5℃,5sec No stick tin melting phenomenon



P/N: RJ1012W-XXXX-XXXX00X  
Model P/N

Plastical Material:  
 B0:PBT4815 15%GF,UL94-V0 ROHS  
 B4:PBT5615 15%GF,UL94-V0 ROHS&H.F  
 B6:PA66 30%GF,UL94-V0 ROHS&H.F  
 C0:LCP,UL94-V0 ROHS&H.F

Button Color:  
 01:Black  
 02:Red(485C)  
 03:White  
 04:Yellow(114C)  
 08:Gray(Cool Gray2C)

Packing:  
 B:Tray;  R:Tape reel;

Chocolate:  
LED Color Options Table

Plating Code:  
 00:Gold Flash  
 01:6u"  
 02:15u"  
 03:30u"  
 04:50u"

Contacts:  
 B:C:8Pin Contacts

NO.	DESCRIPTION	QTY	PARTS MATERIAL	PLATING OR COLOR	REMARK
3	SHELL	1	Copper Alloy	Nickel Plating	-
2	TERMINAL	8	0.35mm Thickness Copper Alloy,Plated With Gold And Tin In Solder Area.	Selective Gold Plating.(Gold See Part No)	-
1	Housing	1	Choose from P/N	Choose from P/N item color	-

Tolerance	MODEL NAME:RJ45 CONNECTOR	DRAWING: David Zhou	
X.X ±0.30	MODEL No:RJ1012W-XXXX-XXXXXXX	CHECKED: David Zhou	
X.XX ±0.20	SCALE:1:1	REVISION	SHEET
X.XXX ±0.10		A0	1/1
Angle ±3.0°	UNIT:mm		DATE: 2013.12.20
	菱揚精密有限公司 Ling Yang Precision Co.,Ltd		FILE: CD/LINGYANG
			DWG NO.RJ1012W-A001