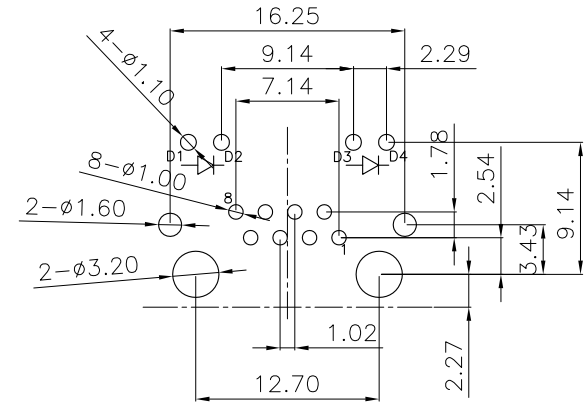
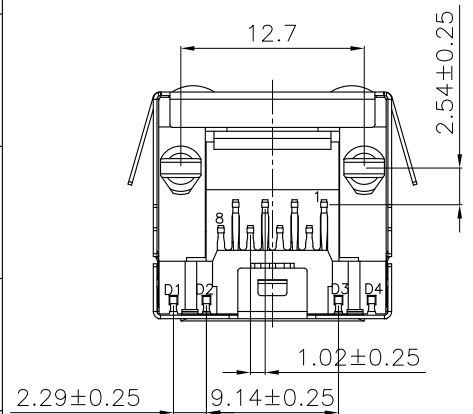
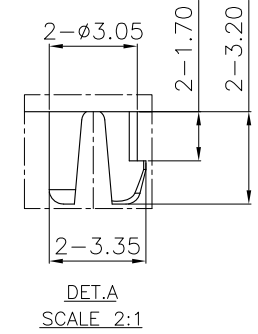
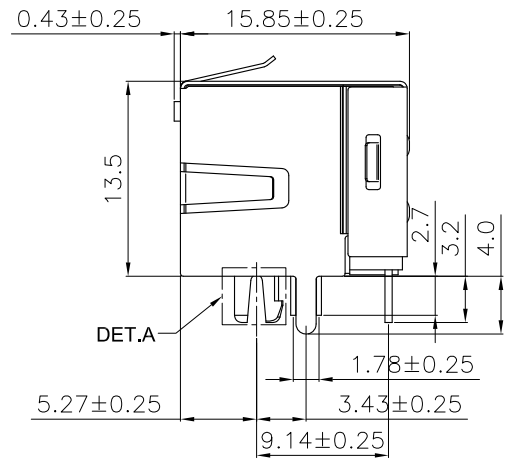
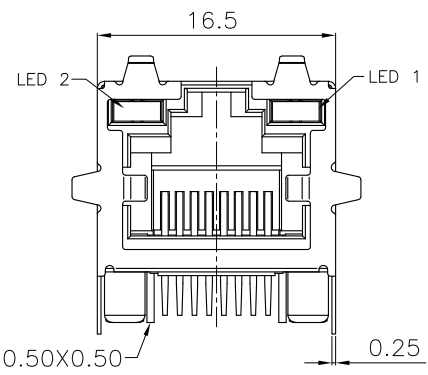


正式图 参考图 CUSTOMER DRAWING
The requirements of environmental protection
ROHS2 Halogen free

Mark	ECN NO.	DESCRIPTION	DESIGN	Date:
—	—	NEW VERSION	David Zhou	2014.02.17

SPECIFICATION:
Electrical:
 Current Rating:1.5Amp max
 Voltage Rating:150VAC max
 Insulation Resistance:500 megohms min
 Contact Resistance:50 milliohms max
 Withstanding Voltage:1000 VAC
Mechanical:
 Durability:750 Cycles
 Operating Temperature:-40°C~+70°C
 Storage Temperature:-50°C~+75°C
 Contact Normal Force:100g Minimum
 Soldering Temperature:
 260+/-5°C,5sec/95%Areabe covered
 Withstand Temperature: 270+/-5°C,5sec No stick tin melting phenomenon

P/N: RJ1019W-XXXX-XXXXXXX
 Model P/N _____ Packing
B:Tray; R:Tape reel;
 Chocolate:
 LED Color Options Table
 Plating Code:
00:Gold Flash
01:6u"
02:15u"
03:30u"
04:50u"
 Contacts:
8C:8Pin Contacts
 Plastics Material _____
B0:PBT4815 15%GF,UL94-V0 ROHS
B4:PBT5615 15%GF,UL94-V0 ROHS&H.F
D6:PA66 30%GF,UL94-V0 ROHS&H.F
C0:LCP,UL94-V0 ROHS&H.F
 Button Color _____
01:Black
02:Red(485c)
03:White
04:Yellow(114c)
08:Gray(Cool Gray2C)



RECOMMENDED PCB LAYOUT
 TOP VIEW
 TOLERANCE:±0.05mm
 PCB THICKNESS: 1.60±0.05mm

LED Color Options Table

LED Color Options		LED DASH OPTION	Choose
LED 2 (Left)	LED 1(Right)		
Without LED	Without LED	00	
Green	Orange	01	
Orange	Green	02	
Green	Red	03	
Red	Green	04	
Red	Yellow	05	
Orange	Orange/Green	06	
Orange	Green/Orange	07	
Green	No LED	08	
No LED	Yellow/Green	09	
Green/Orange	Yellow	10	

NO.	DESCRIPTION	QTY	PARTS MATERIAL	PLATING OR COLOR	REMARK
4	LED	2	----	Choose from P/N item color	-
3	Shell	1	Copper Alloy	Nickel Plating	-
2	Terminal	8	0.35mm Thickness Copper Alloy,Plated With Gold And Tin In Solder Area.	Selective Gold Plating.(Gold See Part No)	-
1	Housing	1	Choose from P/N	Choose from P/N item color	-

Tolerance X.X ±0.30 X.XX ±0.20 X.XXX ±0.10 Angle ±3.0°	MODEL NAME:RJ45 CONNECTOR MODEL No:RJ1019W-XXXX-XXXXXXX	DRAWING: David Zhou CHECKED: David Zhou APPROVED:Jacky Lee DATE: 2014.02.17
UNIT:mm	SCALE:1:1 REVISION A0 SHEET 1/1	FILE: CD/LINGYANG DWG NO.RJ1019W-A001

菱揚精密有限公司
Ling Yang Precision Co.,Ltd