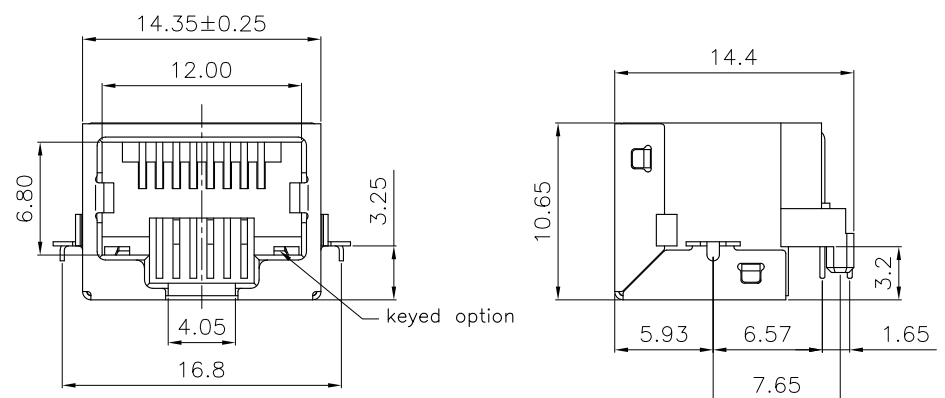
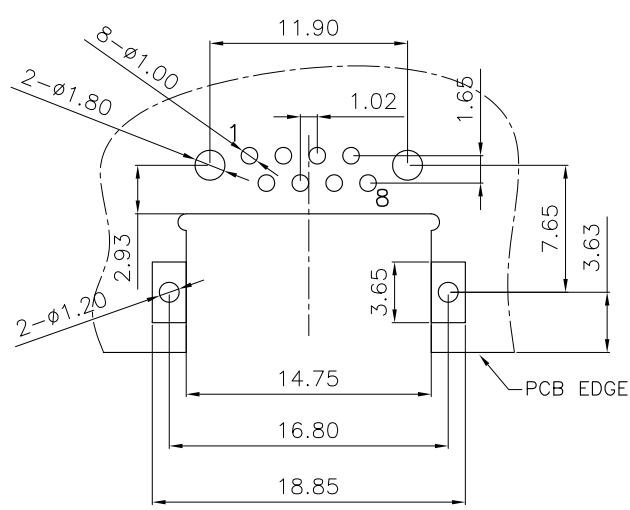
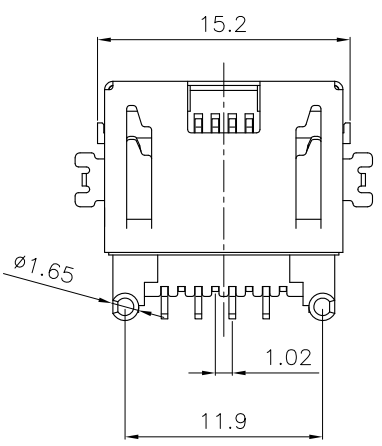


正式图 参考图 CUSTOMER DRAWING
The requirements of environmental protection
ROHS2 Halogen free

Mark	ECN NO.	DESCRIPTION	DESIGN	Date:
—	—	NEW VERSION	David Zhou	2014.04.14



SPECIFICATION:
Electrical:
 Current Rating:1.5Amp max
 Voltage Rating:150VAC max
 Insulation Resistance:500 megohms min
 Contact Resistance:50 milliohms max
 Withstanding Voltage:1000 VAC
Mechanical:
 Durability:750 Cycles
 Operating Temperature:-40℃~+70℃
 Storage Temperature:-50℃~+75℃
 Contact Normal Force:100g Minimum
 Soldering Temperature:
 260+/-5℃,5sec/95%Areabe covered
 Withstand Temperature: 270+/-5℃,5sec No
 stick tin melting phenomenon



RECOMMENDED PCB LAYOUT
 TOP VIEW
 PCB THICKNESS:1.20±0.05mm

P/N: RJ1026W-XXXX-XXXX00X
 Model P/N
 Plactical Material
B0:PBT4815 15%GF,UL94-V0 ROHS
B4:PBT5615 15%GF,UL94-V0 ROHS&H.F
D6:PA66 30%GF,UL94-V0 ROHS&H.F
C0:LCP,UL94-V0 ROHS&H.F
 Button Color
01:Black
02:Red(485C)
03:White
04:Yellow(114C)
08:Gray(Cool Gray2C)
 Packing
B:Tray R:Tape reel;
 Chocolate:
 LED Color Options Table
 Plating Code:
00:Gold Flash
01:6u"
02:15u"
03:30u"
04:50u"
 Contacts:
8C:8Pin Contacts

NO.	DESCRIPTION	QTY	PARTS MATERIAL	PLATING OR COLOR	REMARK
4					
3	Shell	1	Copper Alloy	Nickel Plating	-
2	Terminal	8	0.35mm Thickness Copper Alloy,Plated With Gold And Tin In Solder Area.	Selective Gold Plating.(Gold See Part No)	-
1	Housing	1	Choose from P/N	Choose from P/N item color	-

Tolerance	MODEL NAME:RJ45 CONNECTOR	DRAWING: David Zhou
X.X ±0.30	MODEL No:RJ1026W-XXXX-XXXX00X	CHECKED: David Zhou
X.XX ±0.20	SCALE:1:1 REVISION A0 SHEET 1/1	APPROVED:Jacky Lee
X.XXX ±0.10		DATE: 2014.04.14
Angle ±3.0°	菱揚精密有限公司 Ling Yang Precision Co.,Ltd	FILE: CD/LINGYANG
UNIT:mm		DWG NO.RJ1026W-A001