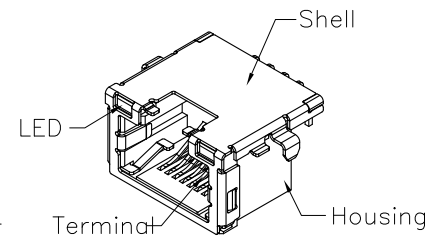
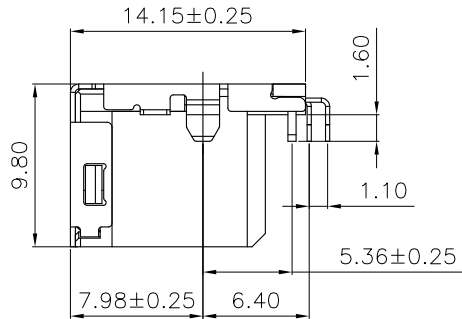
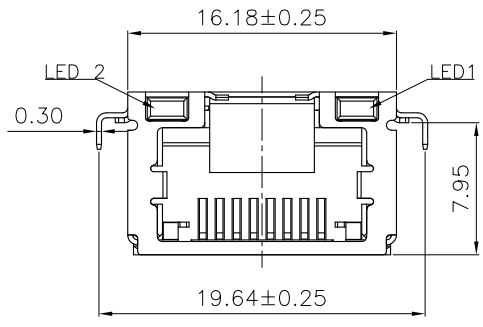


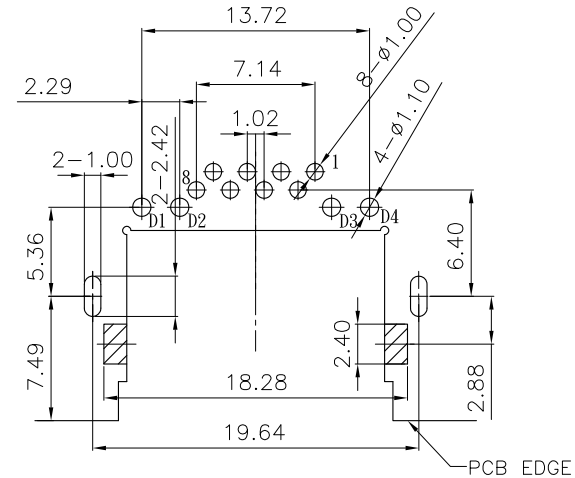
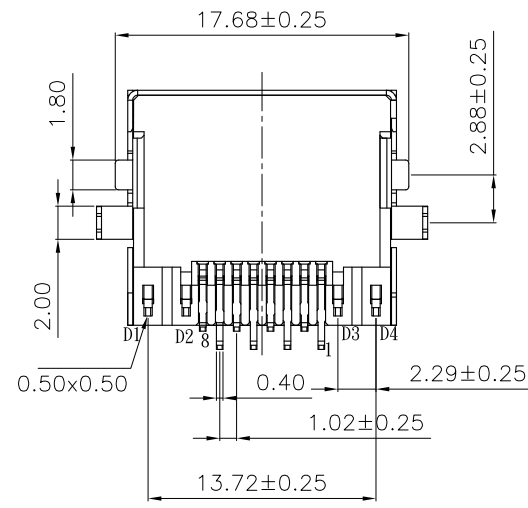
正式图 参考图 CUSTOMER DRAWING
The requirements of environmental protection
ROHS2 Halogen free

Mark	ECN NO.	DESCRIPTION	DESIGN	Date:
---	---	NEW VERSION	David Zhou	2014.03.20



SPECIFICATION:
Electrical:
 Current Rating:1.5Amp max
 Voltage Rating:150VAC max
 Insulation Resistance:500 megohms min
 Contact Resistance:50 milliohms max
 Withstanding Voltage:1000 VAC
Mechanical:
 Durability:750 Cycles
 Operating Temperature:-40°C~+70°C
 Storage Temperature:-50°C~+75°C
 Contact Normal Force:100g Minimum
 Soldering Temperature:
 260+/-5°C,5sec/95%Areabe covered
 Withstand Temperature: 270+/-5°C,5sec No stick tin melting phenomenon

P/N: RJ1022W-XXXX-XXXXXXX
 Model P/N: _____ Packing
 B:Tray R:Tape reel;
 Chocolate:
 LED Color Options Table
 Plating Code:
 00:Gold Flash
 01:6u"
 02:15u"
 03:30u"
 04:50u"
 Contacts:
 8C:8Pin Contacts
 Plastical Material:
 B0:PBT4815 15%GF,UL94-V0 ROHS
 B4:PBT5615 15%GF,UL94-V0 ROHS&H.F
 D6:PA66 30%GF,UL94-V0 ROHS&H.F
 C0:LCP,UL94-V0 ROHS&H.F
 Button Color
 01:Black
 02:Red(485C)
 03:White
 04:Yellow(114C)
 08:Gray(Cool Gray2C)

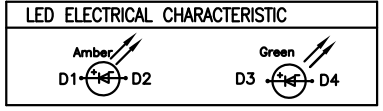


RECOMMENDED PCB LAYOUT
 TOP VIEW
 TOLERANCE:±0.05mm
 PCB THICKNESS: 1.60±0.05mm

LED Color Options Table

LED Color Options		LED DASH OPTION	Choose
LED 2 (Left)	LED 1 (Right)		
Without LED	Without LED	00	
Green	Orange	01	
Orange	Green	02	
Green	Red	03	
Red	Green	04	
Red	Yellow	05	
Orange	Orange/Green	06	
Orange	Green/Orange	07	
Green	No LED	08	
No LED	Yellow/Green	09	
Green/Orange	Yellow	10	
Green	Orange/Green	11	
Green/Yellow	Green/Yellow	12	
Green/Yellow	Green	13	
Red	Red	14	
Green/Red	Yellow/Green	15	
Green	Green/Yellow	16	
No LED	Green/Yellow	17	

LED Color Options		LED DASH OPTION	Choose
LED 2 (Left)	LED 1 (Right)		
Green	Yellow	18	
Yellow	Red	19	
Yellow/Green	Yellow/Green	20	
No LED	Green	21	
Amber	Green	22	
Green/Amber	Green	23	



NO.	DESCRIPTION	QTY	PARTS MATERIAL	PLATING OR COLOR	REMARK
4	LED	2	----	Choose from P/N item color	-
3	Shell	1	Copper Alloy	Nickel Plating	-
2	Terminal	8	0.25mm Thickness Copper Alloy,Plated With Gold And Tin In Solder Area.	Selective Gold Plating.(Gold See Part No)	-
1	Housing	1	Choose from P/N	Choose from P/N item color	-

Tolerance	MODEL NAME:RJ45 CONNECTOR	DRAWING: David Zhou
X.X ±0.30	MODEL No:RJ1022W-XXXX-XXXXXXX	CHECKED: David Zhou
X.XX ±0.20	REVISION SHEET	APPROVED:Jacky Lee
X.XXX ±0.10		DATE: 2014.03.20
Angle ±3.0°	SCALE:1:1	1/1
UNIT:mm	菱揚精密有限公司 Ling Yang Precision Co.,Ltd	
		FILE: CD/LINGYANG
		DWG NO.RJ1022W-A001