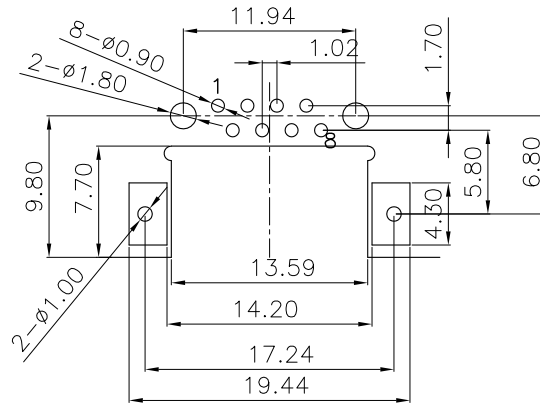
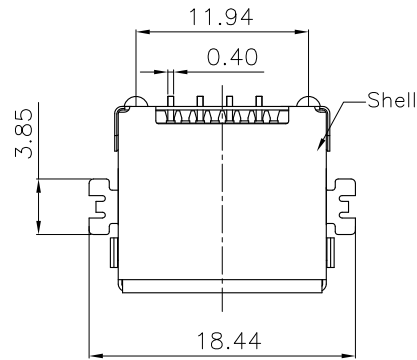
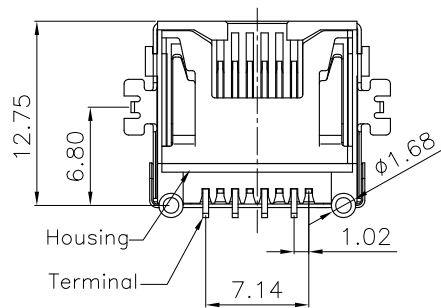
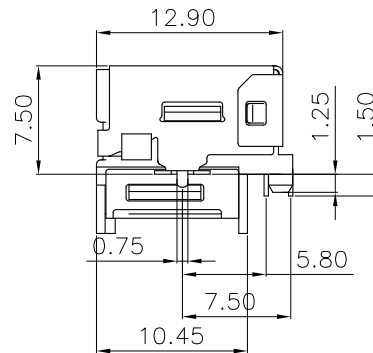
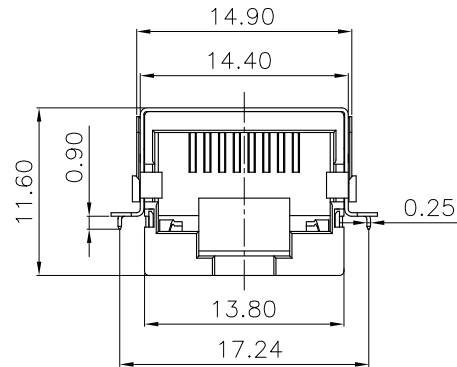


正式图 参考图 CUSTOMER DRAWING  
The requirements of environmental protection  
ROHS2 Halogen free

Mark	ECN NO.	DESCRIPTION	DESIGN	Date:
—	—	NEW VERSION	David Zhou	2014.03.13



RECOMMENDED PCB LAYOUT  
TOP VIEW  
TOLERANCE: ±0.05mm  
PCB THICKNESS: 1.20±0.05mm



SPECIFICATION:  
Electrical:  
Current Rating:1.5Amp max  
Voltage Rating:150VAC max  
Insulation Resistance:500 megohms min  
Contact Resistance:50 milliohms max  
Withstanding Voltage:1000 VAC  
Mechanical:  
Durability:750 Cycles  
Operating Temperature:-40°C~+70°C  
Storage Temperature:-50°C~+75°C  
Contact Normal Force:100g Minimum  
Soldering Temperature:  
260+/-5°C,5sec/95%Area be covered  
Withstand Temperature: 270+/-5°C,5sec No stick tin melting phenomenon

P/N: RJ1021W-XXXX-XXXX00X

Model P/N

Plastical Material

- B0:PBT4815 15%GF,UL94-V0 ROHS
- B4:PBT5615 15%GF,UL94-V0 ROHS&H.F
- D6:PA66 30%GF,UL94-V0 ROHS&H.F
- C0:LCP,UL94-V0 ROHS&H.F

Button Color

- 01:Black
- 02:Red(485C)
- 03:White
- 04:Yellow(114C)
- 08:Gray(Cool Gray2C)

Packing

- B:Tray;  R:Tape reel;

Chocolate:

LED Color Options Table

Plating Code:

- 00:Gold Flash
- 01:6u"
- 02:15u"
- 03:30u"
- 04:50u"

Contacts:

- 8C:8Pin Contacts

Tolerance	MODEL NAME:RJ45 CONNECTOR	DRAWING: David Zhou
X.X ±0.30	MODEL No:RJ1021W-XXXX-XXXX00X	CHECKED: David Zhou
X.XX ±0.20	SCALE:1:1	APPROVED:Jacky Lee
X.XXX ±0.10		DATE: 2014.03.13
Angle ±3.0°	REVISION A0	SHEET 1/1
UNIT:mm	FILE: CD/LINGYANG	
	DWG NO.RJ1021W-A001	

NO.	DESCRIPTION	QTY	PARTS MATERIAL	PLATING OR COLOR	REMARK
3	Shell	1	Copper Alloy	Nickel Plating	-
2	Terminal	8	0.30mm Thickness Copper Alloy,Plated With Gold And Tin In Solder Area.	Selective Gold Plating.(Gold See Part No)	-
1	Housing	1	Choose from P/N	Choose from P/N item color	-

菱揚精密有限公司  
Ling Yang Precision Co.,Ltd