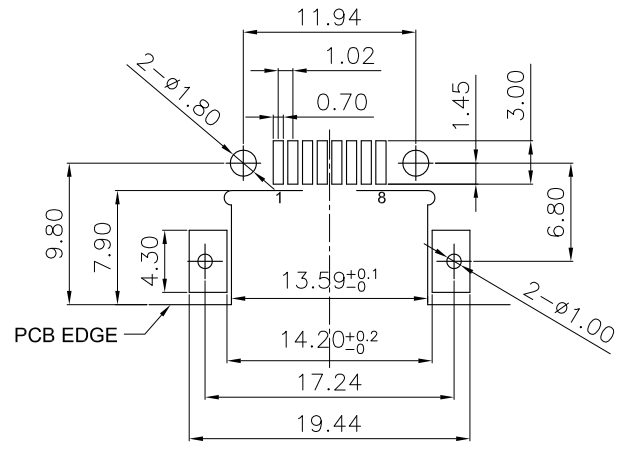
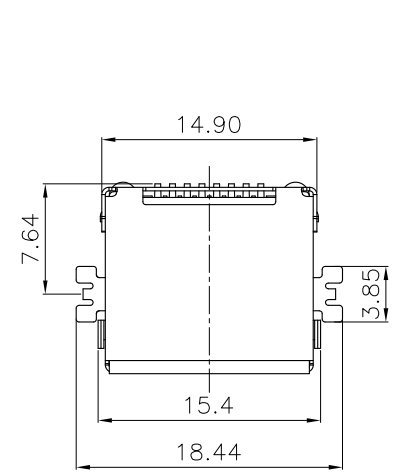
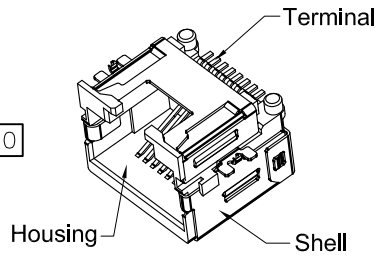
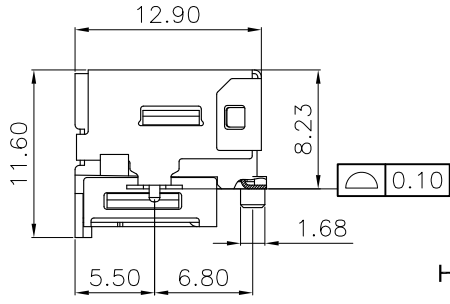
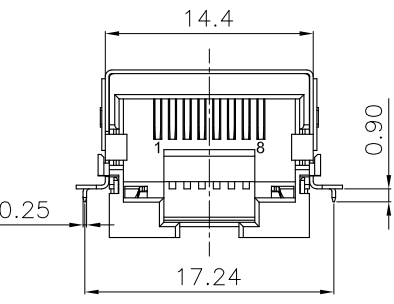


正式图 参考图  
 CUSTOMER DRAWING  
 The requirements of environmental protection  
 ROHS2 Halogen free

Mark	ECN NO.	DESCRIPTION	DESIGN	Date:
—	—	NEW VERSION	David Zhou	2014.03.20



RECOMMENDED PCB LAYOUT  
 TOP VIEW  
 TOLERANCE: ±0.05mm  
 PCB THICKNESS: 1.60±0.05mm



SPECIFICATION:  
 Electrical:  
 Current Rating: 1.5Amp max  
 Voltage Rating: 150VAC max  
 Insulation Resistance: 500 megohms min  
 Contact Resistance: 50 milliohms max  
 Withstanding Voltage: 1000 VAC  
 Mechanical:  
 Durability: 750 Cycles  
 Operating Temperature: -40°C ~ +70°C  
 Storage Temperature: -50°C ~ +75°C  
 Contact Normal Force: 100g Minimum  
 Soldering Temperature:  
 260+/-5°C, 5sec/95% areabe covered  
 Withstand Temperature: 270+/-5°C, 5sec No stick tin melting phenomenon

P/N: RJ1023W-XXXX-XXXX00X  
 Model P/N  
 Plastic Material  
 B0: PBT4815 15%GF, UL94-V0 ROHS  
 B4: PBT5615 15%GF, UL94-V0 ROHS&H.F  
 D6: PA66 30%GF, UL94-V0 ROHS&H.F  
 C0: LCP, UL94-V0 ROHS&H.F  
 Button Color  
 01: Black  
 02: Red(485C)  
 03: White  
 04: Yellow(114C)  
 08: Gray(Cool Gray2C)  
 Packing  
 B: Tray;  R: Tape reel;  
 Chocolate:  
 LED Color Options Table  
 Plating Code:  
 00: Gold Flash  
 01: 6u"  
 02: 15u"  
 03: 30u"  
 04: 50u"  
 Contacts:  
 8C: 8Pin Contacts

NO.	DESCRIPTION	QTY	PARTS MATERIAL	PLATING OR COLOR	REMARK
3	Shell	1	Copper Alloy	Nickel Plating	-
2	Terminal	8	0.25mm Thickness Copper Alloy, Plated With Gold And Tin In Solder Area.	Selective Gold Plating.(Gold See Part No)	-
1	Housing	1	Choose from P/N	Choose from P/N item color	-

Tolerance	MODEL NAME: RJ45 CONNECTOR	DRAWING: David Zhou
X.X ±0.30	MODEL No: RJ1023W-XXXX-XXXX00X	CHECKED: David Zhou
X.XX ±0.20	SCALE: 1:1 REVISION A0 SHEET 1/1	APPROVED: Jacky Lee
X.XXX ±0.10		DATE: 2014.03.20
Angle ±3.0°	菱揚精密有限公司 Ling Yang Precision Co., Ltd	FILE: CD/LINGYANG
UNIT: mm		DWG NO. RJ1023W-A001