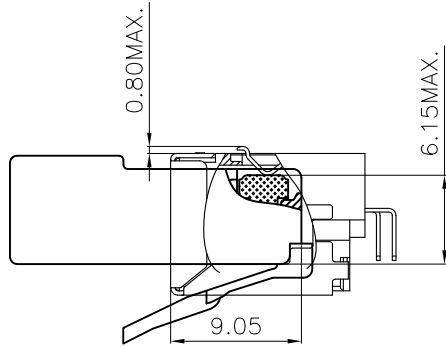
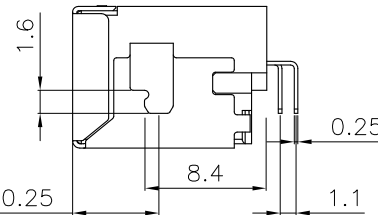
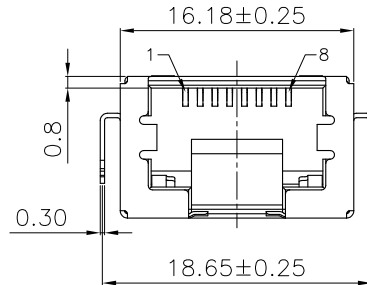
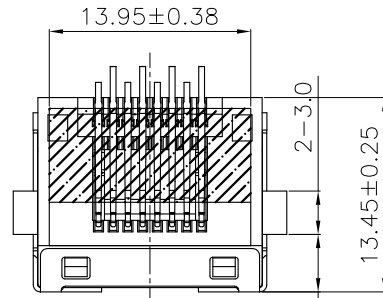


正式图 参考图 CUSTOMER DRAWING
The requirements of environmental protection
ROHS2 Halogen free

Mark	ECN NO.	DESCRIPTION	DESIGN	Date:
—	—	NEW VERSION	David Zhou	2014.03.27



AT MATED RJ45 PLUG ASSY
REFERENCE



SPECIFICATION:

Electrical:

Current Rating:1.5Amp max
Voltage Rating:150VAC max
Insulation Resistance:500 megohms min
Contact Resistance:50 milliohms max
Withstanding Voltage:1000 VAC

Mechanical:

Durability:750 Cycles
Operating Temperature:-40°C~+70°C
Storage Temperature:-50°C~+75°C
Contact Normal Force:100g Minimum
Soldering Temperature:
260+/-5°C,5sec/95%Areabe covered
Withstand Temperature: 270+/-5°C,5sec No stick tin melting phenomenon

P/N: RJ5112W-C001-08A300R

Model P/N

Plastical Material

- B0:PBT4815 15%GF,UL94-V0 ROHS
- B4:PBT5615 15%GF,UL94-V0 ROHS&H.F
- B6:PA66 30%GF,UL94-V0 ROHS&H.F
- C0:LCP,UL94-V0 ROHS&H.F

Button Color

- 01:Black
- 02:Red(485C)
- 03:White
- 04:Yellow(114C)
- 08:Gray(Cool Gray2C)

Packing

- B:Tray; R:Tape reel;

Chocolate:

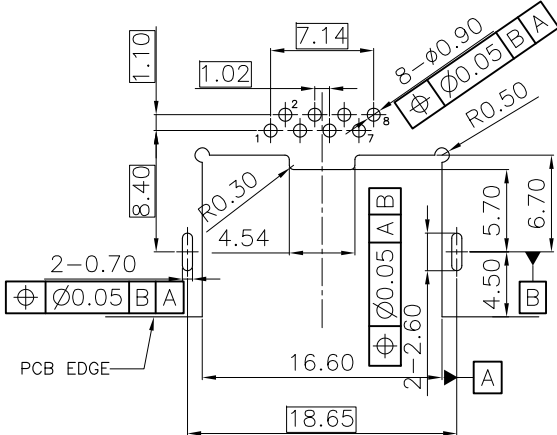
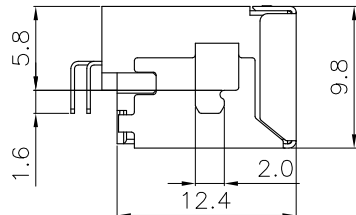
LED Color Options Table

Plating Code:

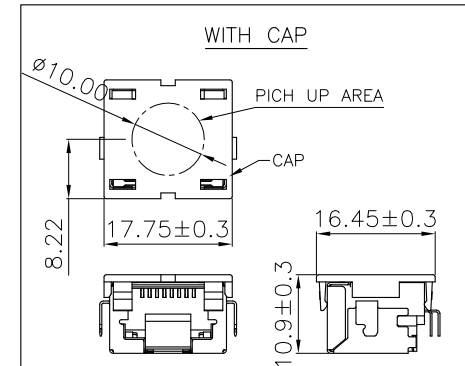
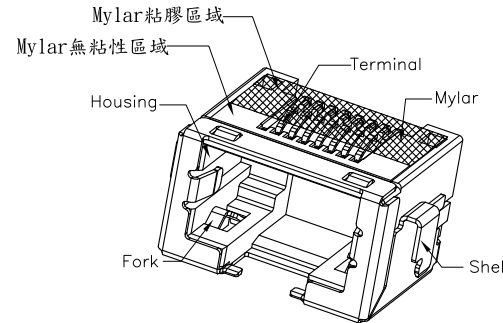
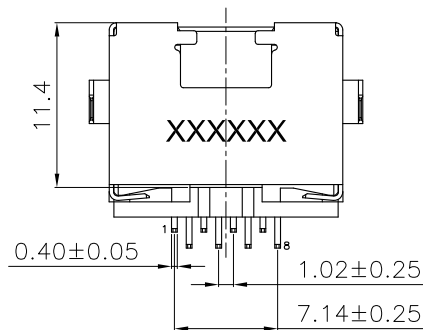
- F4:6u"
- E2:15u"
- E6:30u"
- E7:50u"
- A3:C/F

Contacts:

08:8Pin Contacts



RECOMMENDED PCB LAYOUT
TOP VIEW
TOLERANCE:±0.05mm
PCB THICKNESS: 1.20±0.05mm



NO.	DESCRIPTION	QTY	PARTS MATERIAL	PLATING OR COLOR	REMARK
5	Mylar	1	-	-	-
4	Fork	1	SUS	-	-
3	Shell	1	Copper Alloy	Nickel Plating	-
2	Terminal	8	0.25mm Thickness Copper Alloy,Plated With Gold And Tin In Solder Area.	Selective Gold Plating.(Gold See Part No)	-
1	Housing	1	Choose from P/N	Choose from P/N item color	-

Tolerance	MODEL NAME:RJ45 CONNECTOR	DRAWING: David Zhou
X.X ±0.30	MODEL No:RJ5112W-C001-08A300R	CHECKED: David Zhou
X.XX ±0.20	REVISION	APPROVED:Jacky Lee
X.XXX ±0.10	A0	DATE: 2014.03.27
Angle ±3.0°	SCALE:1:1	FILE: CD/LINGYANG
UNIT:mm	菱揚精密有限公司 Ling Yang Precision Co.,Ltd	DWG NO.RJ5112W-A002