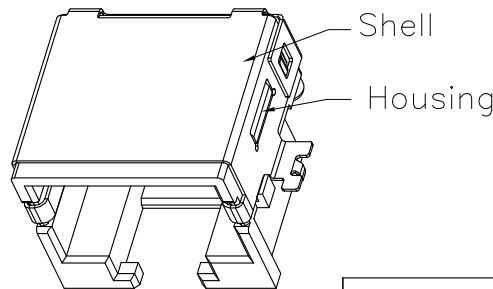
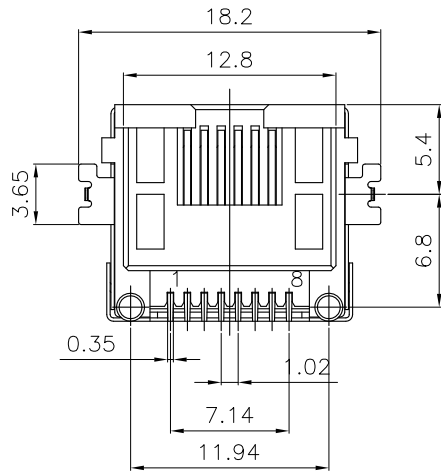
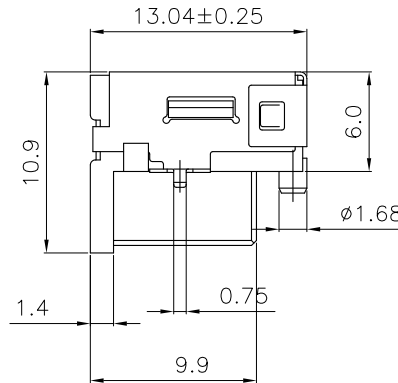
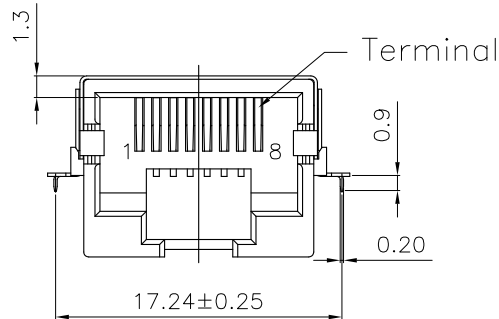
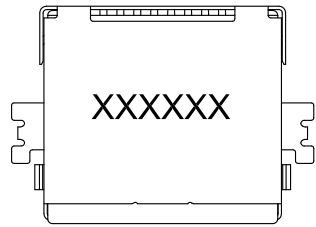


正式图 参考图 CUSTOMER DRAWING  
The requirements of environmental protection  
ROHS2 Halogen free

Mark	ECN NO.	DESCRIPTION	DESIGN	Date:
—	—	NEW VERSION	David Zhou	2014.03.27



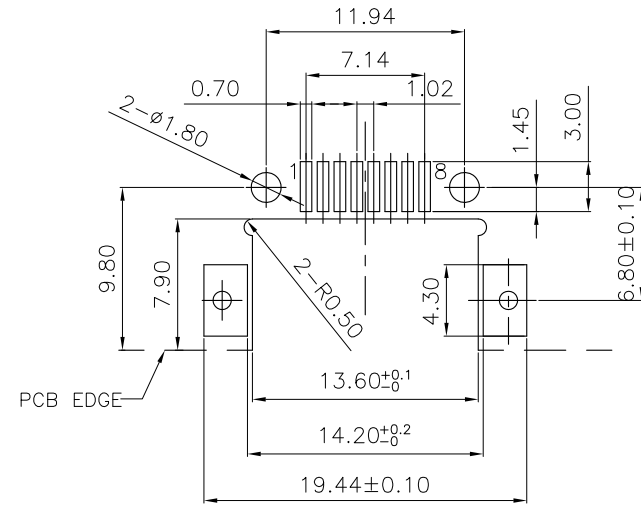
**SPECIFICATION:**

**Electrical:**

Current Rating:1.5Amp max  
Voltage Rating:150VAC max  
Insulation Resistance:500 megohms min  
Contact Resistance:50 milliohms max  
Withstanding Voltage:1000 VAC

**Mechanical:**

Durability:750 Cycles  
Operating Temperature:-40℃~+70℃  
Storage Temperature:-50℃~+75℃  
Contact Normal Force:100g Minimum  
Soldering Temperature:  
260+/-5℃,5sec/95%Areabe covered  
Withstand Temperature: 270+/-5℃,5sec No stick tin melting phenomenon



RECOMMENDED PCB LAYOUT  
TOP VIEW  
TOLERANCE:±0.05mm  
PCB THICKNESS: 1.20±0.05mm

NO.	DESCRIPTION	QTY	PARTS MATERIAL	PLATING OR COLOR	REMARK
3	Shell	1	Copper Alloy	Nickel Plating	-
2	Terminal	8	0.25mm Thickness Copper Alloy,Plated With Gold And Tin In Solder Area.	Selective Gold Plating.(Gold See Part No)	-
1	Housing	1	Choose from P/N	Choose from P/N item color	-

Tolerance	MODEL NAME:RJ45 CONNECTOR	DRAWING: David Zhou	
X.X ±0.30	MODEL No: 80551-C1TM-L1B0-SN00	CHECKED: David Zhou	
X.XX ±0.20	SCALE:1:1	REVISION	SHEET
X.XXX ±0.10		A0	1/1
Angle ±3.0°	APPROVED:Jacky Lee		DATE: 2014.03.27
UNIT:mm	FILE: CD/LINGYANG		DWG NO. 8055-A001

