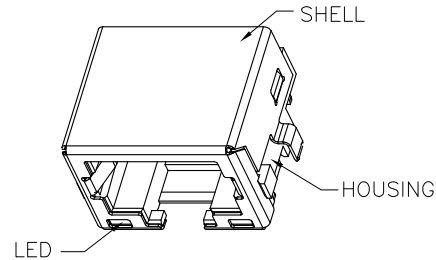
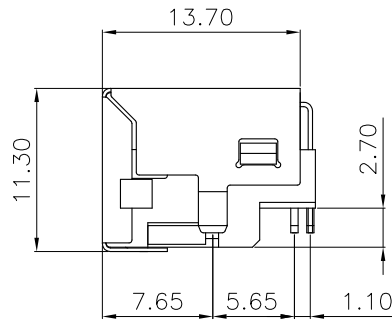
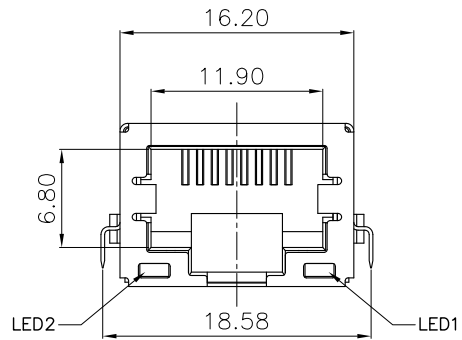


正式图 参考图 CUSTOMER DRAWING
The requirements of environmental protection
ROHS2 Halogen free

Mark	ECN NO.	DESCRIPTION	DESIGN	Date:
—	—	NEW VERSION	David Zhou	2014.04.17



SPECIFICATION:

Electrical:

Current Rating:1.5Amp max
Voltage Rating:150VAC max
Insulation Resistance:500 megohms min
Contact Resistance:50 milliohms max
Withstanding Voltage:1000 VAC

Mechanical:

Durability:750 Cycles
Operating Temperature:-40℃~+70℃
Storage Temperature:-50℃~+75℃
Contact Normal Force:100g Minimum
Soldering Temperature:
260+/-5℃,5sec/95%Areabe covered
Withstand Temperature: 270+/-5℃,5sec No stick tin melting phenomenon

P/N: RJ1048W-XXXX-XXXXXXX

Model P/N

Plastical Material

- B0:PBT4815 15%GF,UL94-V0 ROHS
- B4:PBT5615 15%GF,UL94-V0 ROHS&H.F
- D6:PA66 30%GF,UL94-V0 ROHS&H.F
- C0:LCP,UL94-V0 ROHS&H.F

Button Color

- 01:Black
- 02:Red(485C)
- 03:White
- 04:Yellow(114C)
- 08:Gray(Cool Gray2C)

Packing

- B:Tray; R:Tape reel;

Chocolate:

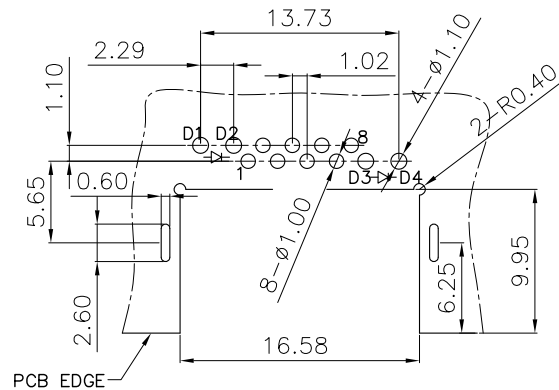
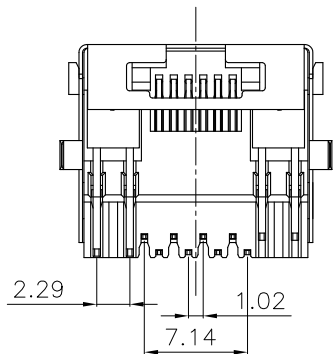
LED Color Options Table

Plating Code:

- 00:Gold Flash
- 01:6u"
- 02:15u"
- 03:30u"
- 04:50u"

Contacts:

- 8C:8Pin Contacts



RECOMMENDED PCB LAYOUT

TOP VIEW

TOLERANCE:±0.05mm

PCB THICKNESS: 1.20±0.05mm

LED Color Options Table

LED Color Options	LED DASH OPTION
LED 2 (Left) LED 1(Right)	LED DASH OPTION
Without LED Without LED	00
Green Orange	01
Orange Green	02
Green Red	03
Red Green	04
Red Yellow	05
Orange Orange/Green	06
Orange Green/Orange	07
Green No LED	08
No LED Yellow/Green	09
Green/Orange Yellow	10
Green Orange/Green	11
Green/Yellow Green/Yellow	12
Green/Yellow Green	13
Red Red	14
Green/Red Yellow/Green	15
Green Green/Yellow	16
No LED Green/Yellow	17

LED Color Options	LED DASH OPTION
LED 2 (Left) LED 1(Right)	LED DASH OPTION
Green Yellow	18
Yellow Red	19
Yellow/Green Yellow/Green	20
No LED Green	21

LED ELECTRICAL CHARACTERISTIC



NO.	DESCRIPTION	QTY	PARTS MATERIAL	PLATING OR COLOR	REMARK
4	LED	2	----	Choose from P/N item color	-
3	Shell	1	Copper Alloy	Nickel Plating	T=0.25
2	Terminal	8	0.30mm Thickness Copper Alloy,Plated With Gold And Tin In Solder Area.	Plating: Cu40u"+Ni 50u" Min. Selective Gold Plating.(Gold See Part No)	-
1	Housing	1	Choose from P/N	Choose from P/N item color	-

Tolerance	MODEL NAME:RJ45 CONNECTOR	DRAWING: David Zhou
X.X ±0.30	MODEL No:RJ1048W-XXXX-XXXXXXX	CHECKED: David Zhou
X.XX ±0.20	REVISION	APPROVED:Jacky Lee
X.XXX ±0.10	A0	DATE: 2014.04.17
Angle ±3.0°	SCALE:1:1	1/1
UNIT:mm	菱揚精密有限公司 Ling Yang Precision Co.,Ltd	FILE: CD/LINGYANG DWG NO.RJ1048W-A001