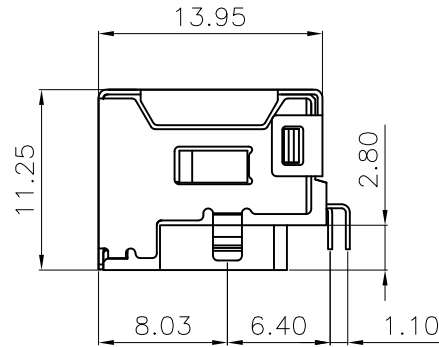
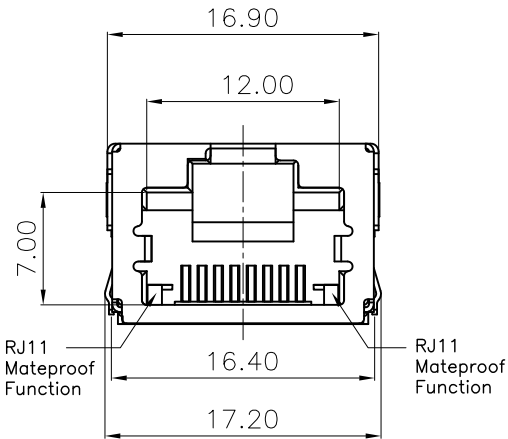
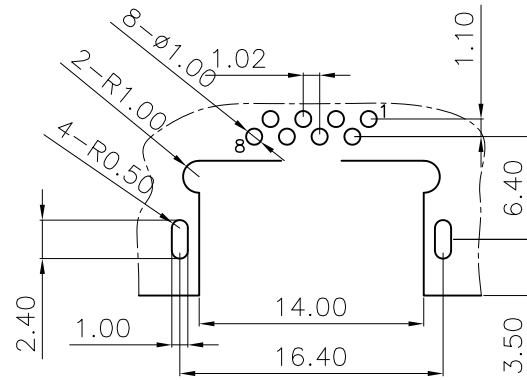
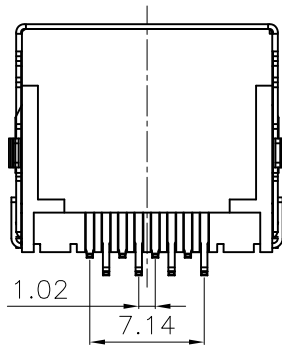


正式图 参考图 CUSTOMER DRAWING  
The requirements of environmental protection  
ROHS2 Halogen free

Mark	ECN NO.	DESCRIPTION	DESIGN	Date:
—	—	NEW VERSION	David Zhou	2014.04.17



**SPECIFICATION:**  
**Electrical:**  
 Current Rating: 1.5Amp max  
 Voltage Rating: 150VAC max  
 Insulation Resistance: 500 megohms min  
 Contact Resistance: 50 milliohms max  
 Withstanding Voltage: 1000 VAC  
**Mechanical:**  
 Durability: 750 Cycles  
 Operating Temperature: -40°C ~ +70°C  
 Storage Temperature: -50°C ~ +75°C  
 Contact Normal Force: 100g Minimum  
 Soldering Temperature:  
 260+/-5°C, 5sec/95% Areabe covered  
 Withstand Temperature: 270+/-5°C, 5sec No stick tin melting phenomenon



RECOMMENDED PCB LAYOUT  
 TOP VIEW  
 TOLERANCE: ±0.05mm  
 PCB THICKNESS: 1.20±0.05mm

P/N: RJ1049W-XXXX-XXXXXXX

Model P/N

Plasting Material

- B0: PBT4815 15%GF, UL94-V0 ROHS
- B4: PBT5615 15%GF, UL94-V0 ROHS&H.F
- D6: PA66 30%GF, UL94-V0 ROHS&H.F
- C0: LCP, UL94-V0 ROHS&H.F

Button Color

- 01: Black
- 02: Red(485C)
- 03: White
- 04: Yellow(114C)
- 08: Gray(Cool Gray2C)

Packing

- B: Tray
- R: Tape reel

Chocolate: LED Color Options Table

Plating Code:

- 00: Gold Flash
- 01: 6u"
- 02: 15u"
- 03: 30u"
- 04: 50u"

Contacts:

- 8C: 8Pin Contacts

NO.	DESCRIPTION	QTY	PARTS MATERIAL	PLATING OR COLOR	REMARK
3	Shell	1	Copper Alloy	Nickel Plating	-
2	Terminal	8	0.25mm Thickness Copper Alloy, Plated With Gold And Tin In Solder Area.	Plating: Cu40u"+Ni 50u" Min. Selective Gold Plating.(Gold See Part No)	-
1	Housing	1	Choose from P/N	Choose from P/N item color	-

Tolerance	MODEL NAME: RJ45 CONNECTOR	DRAWING: David Zhou
X.X ±0.30	MODEL No: RJ1049W-XXXX-XXXXXXX	CHECKED: David Zhou
X.XX ±0.20	SCALE: 1:1	APPROVED: Jacky Lee
X.XXX ±0.10		REVISION A0
Angle ±3.0°	菱揚精密有限公司 Ling Yang Precision Co., Ltd	FILE: CD/LINGYANG
UNIT: mm		DWG NO. RJ1049W-A001