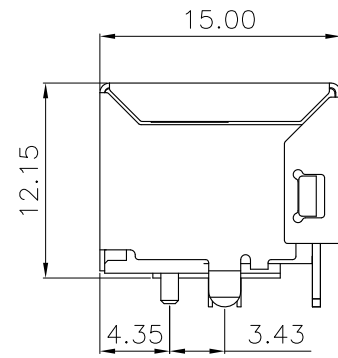
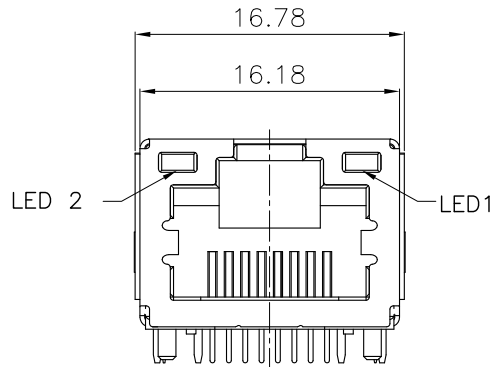


正式图 参考图 CUSTOMER DRAWING
The requirements of environmental protection
ROHS2 Halogen free

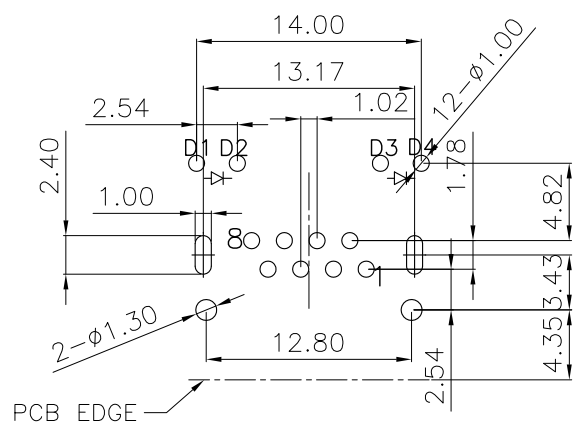
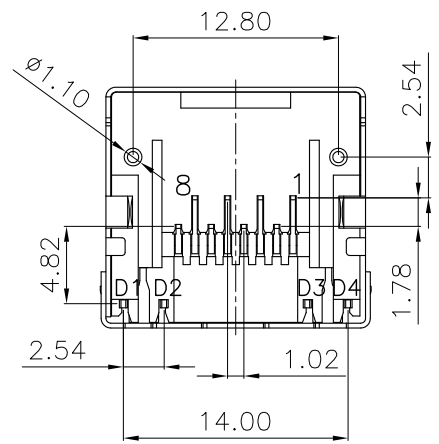
Mark	ECN NO.	DESCRIPTION	DESIGN	Date:
—	—	NEW VERSION	David Zhou	2014.04.17



SPECIFICATION:
Electrical:
 Current Rating: 1.5Amp max
 Voltage Rating: 150VAC max
 Insulation Resistance: 500 megohms min
 Contact Resistance: 50 milliohms max
 Withstanding Voltage: 1000 VAC
Mechanical:
 Durability: 750 Cycles
 Operating Temperature: -40°C ~ +70°C
 Storage Temperature: -50°C ~ +75°C
 Contact Normal Force: 100g Minimum
 Soldering Temperature: 260+/-5°C, 5sec/95% Areabe covered
 Withstand Temperature: 270+/-5°C, 5sec No stick tin melting phenomenon

P/N: RJ1043W-XXXX-XXXXXXX

- Model P/N: _____
- Plastical Material: _____
- B0: PBT4815 15%GF, UL94-V0 ROHS
 - B4: PBT5615 15%GF, UL94-V0 ROHS&H.F
 - D6: PA66 30%GF, UL94-V0 ROHS&H.F
 - C0: LCP, UL94-V0 ROHS&H.F
- Button Color: _____
- 01: Black
 - 02: Red(485C)
 - 03: White
 - 04: Yellow(114C)
 - 08: Gray(Cool Gray2C)
- Packing: _____
- B: Tray; R: Tape reel;
- Chocolate: _____
- LED Color Options Table
- Plating Code: _____
- 00: Gold Flash
 - 01: 6u"
 - 02: 15u"
 - 03: 30u"
 - 04: 50u"
- Contacts: _____
- 8C: 8Pin Contacts



RECOMMENDED PCB LAYOUT
 TOP VIEW
 TOLERANCE: ±0.05mm
 PCB THICKNESS: 1.20±0.05mm

LED Color Options Table

LED Color Options	LED 2 (Left)	LED 1 (Right)	LED DASH OPTION
Without LED	Without LED	Without LED	00
Orange	Orange	Orange	01
Orange	Green	Orange	02
Green	Red	Green	03
Red	Green	Red	04
Red	Yellow	Red	05
Orange	Orange/Green	Orange	06
Orange	Green/Orange	Orange	07
Green	No LED	Green	08
No LED	Yellow/Green	No LED	09
Green/Orange	Yellow	Green/Orange	10
Green	Orange/Green	Green	11
Green/Yellow	Green/Yellow	Green/Yellow	12
Green/Yellow	Green	Green/Yellow	13
Red	Red	Red	14
Green/Red	Yellow/Green	Green/Red	15
Green	Green/Yellow	Green	16
No LED	Green/Yellow	No LED	17

LED Color Options	LED 2 (Left)	LED 1 (Right)	LED DASH OPTION
Green	Yellow	Green	18
Yellow	Red	Yellow	19
Yellow/Green	Yellow/Green	Yellow/Green	20
No LED	Green	No LED	21
Amber	Green	Amber	22
Green/Amber	Green	Green/Amber	23

NO.	DESCRIPTION	QTY	PARTS MATERIAL	PLATING OR COLOR	REMARK
4	LED	2	----	Choose from P/N item color	-
3	Shell	1	Copper Alloy	Nickel Plating	-
2	Terminal	8	0.25mm Thickness Copper Alloy, Plated With Gold And Tin In Solder Area.	Plating: Cu40u"+Ni 50u" Min. Selective Gold Plating.(Gold See Part No)	-
1	Housing	1	Choose from P/N	Choose from P/N item color	-

Tolerance	MODEL NAME: RJ45 CONNECTOR	DRAWING: David Zhou
X.X ±0.30	MODEL No: RJ1043W-XXXX-XXXXXXX	CHECKED: David Zhou
X.XX ±0.20	REVISION	APPROVED: Jacky Lee
X.XXX ±0.10	SCALE: 1:1	DATE: 2014.04.17
Angle ±3.0°	A0	1/1
UNIT: mm	菱揚精密有限公司 Ling Yang Precision Co., Ltd	FILE: CD/LINGYANG
		DWG NO. RJ1043W-A001