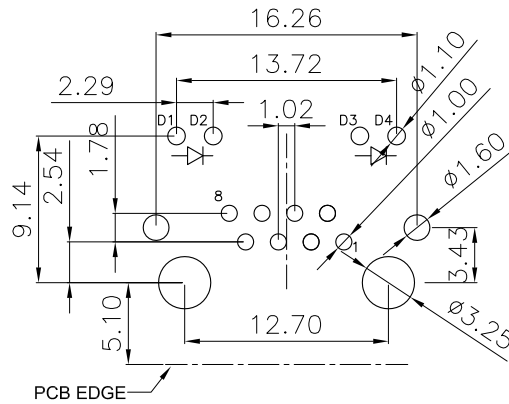
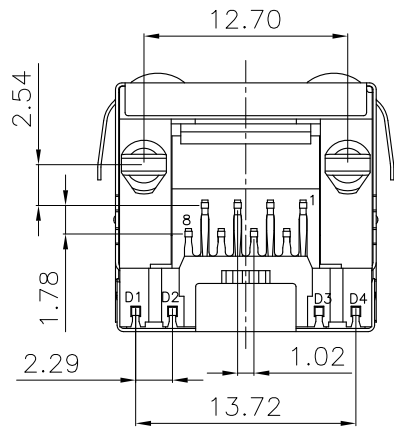
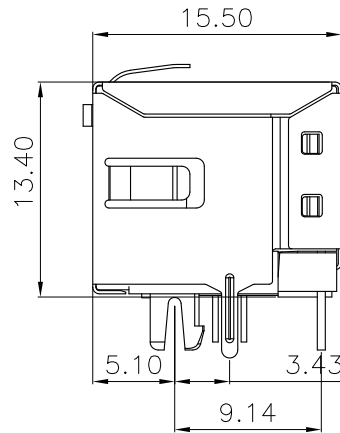
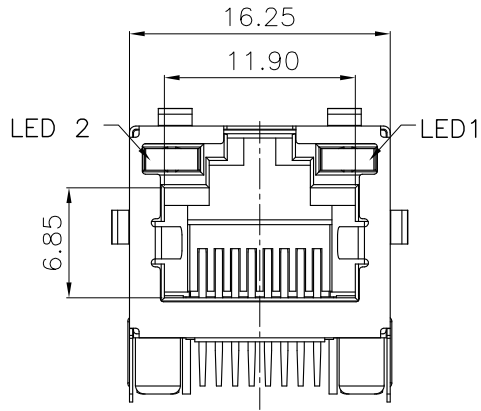


正式图 参考图 CUSTOMER DRAWING
The requirements of environmental protection
ROHS2 Halogen free

Mark	ECN NO.	DESCRIPTION	DESIGN	Date:
—	—	NEW VERSION	David Zhou	2014.04.17



RECOMMENDED PCB LAYOUT
TOP VIEW
TOLERANCE: ±0.05mm
PCB THICKNESS: 1.60±0.05mm

SPECIFICATION:

Electrical:

Current Rating: 1.5Amp max
Voltage Rating: 150VAC max
Insulation Resistance: 500 megohms min
Contact Resistance: 50 milliohms max
Withstanding Voltage: 1000 VAC

Mechanical:

Durability: 750 Cycles
Operating Temperature: -40°C ~ +70°C
Storage Temperature: -50°C ~ +75°C
Contact Normal Force: 100g Minimum
Soldering Temperature:
260+/-5°C, 5sec/95% Areabe covered
Withstand Temperature: 270+/-5°C, 5sec No stick tin melting phenomenon

P/N: RJ1044W-XXXX-XXXXXXX

Model P/N

Plastical Material

- B0: PBT4815 15%GF, UL94-V0 ROHS
- B4: PBT5615 15%GF, UL94-V0 ROHS&H.F
- D6: PA66 30%GF, UL94-V0 ROHS&H.F
- C0: LCP, UL94-V0 ROHS&H.F

Button Color

- 01: Black
- 02: Red(485C)
- 03: White
- 04: Yellow(114C)
- 08: Gray(Cool Gray2C)

- Packing
- B: Tray; R: Tape reel;

Chocolate:
LED Color Options Table

Plating Code:

- 00: Gold Flash
- 01: 6u"
- 02: 15u"
- 03: 30u"
- 04: 50u"

Contacts:
 8C: 8Pin Contacts

LED Color Options Table

LED 2 (Left)	LED 1 (Right)	LED DASH OPTION
Without LED	Without LED	00
Orange	Orange	01
Orange	Green	02
Green	Red	03
Red	Green	04
Red	Yellow	05
Orange	Orange/Green	06
Orange	Green/Orange	07
Green	No LED	08
No LED	Yellow/Green	09
Green/Orange	Yellow	10
Green	Orange/Green	11
Green/Yellow	Green/Yellow	12
Green/Yellow	Green	13
Red	Red	14
Green/Red	Yellow/Green	15
Green	Green/Yellow	16
No LED	Green/Yellow	17

LED 2 (Left)	LED 1 (Right)	LED DASH OPTION
Green	Yellow	18
Yellow	Red	19
Yellow/Green	Yellow/Green	20
No LED	Green	21
Amber	Green	22
Green/Amber	Green	23

NO.	DESCRIPTION	QTY	PARTS MATERIAL	PLATING OR COLOR	REMARK
4	LED	2	----	Choose from P/N item color	-
3	Shell	1	Copper Alloy	Nickel Plating	-
2	Terminal	8	0.25mm Thickness Copper Alloy, Plated With Gold And Tin In Solder Area.	Plating: Cu40u"+Ni 50u" Min. Selective Gold Plating.(Gold See Part No)	-
1	Housing	1	Choose from P/N	Choose from P/N item color	-

Tolerance	MODEL NAME: RJ45 CONNECTOR	DRAWING: David Zhou
X.X ±0.30	MODEL No: RJ1044W-XXXX-XXXXXXX	CHECKED: David Zhou
X.XX ±0.20	SCALE: 1:1	APPROVED: Jacky Lee
X.XXX ±0.10		REVISION SHEET
Angle ±3.0°	A0	1/1
UNIT: mm	菱揚精密有限公司 Ling Yang Precision Co., Ltd	DATE: 2014.04.17
		FILE: CD/LINGYANG
		DWG NO. RJ1044W-A001