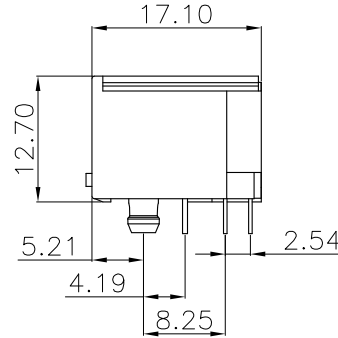
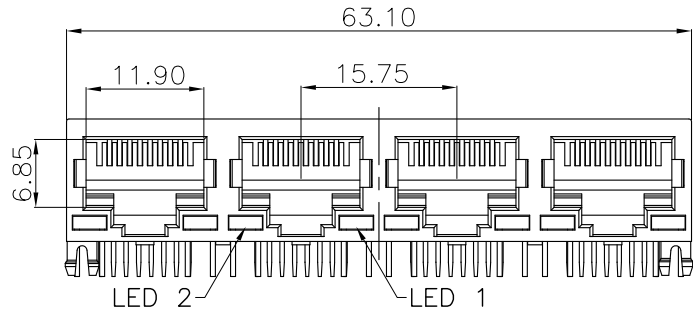


正式图 参考图 CUSTOMER DRAWING
The requirements of environmental protection
ROHS2 Halogen free

Mark	ECN NO.	DESCRIPTION	DESIGN	Date:
—	—	NEW VERSION	David Zhou	2014.04.17



SPECIFICATION:

Electrical:

Current Rating:1.5Amp max

Voltage Rating:150VAC max

Insulation Resistance:500 megohms min

Contact Resistance:50 milliohms max

Withstanding Voltage:1000 VAC

Mechanical:

Durability:750 Cycles

Operating Temperature:-40°C~+70°C

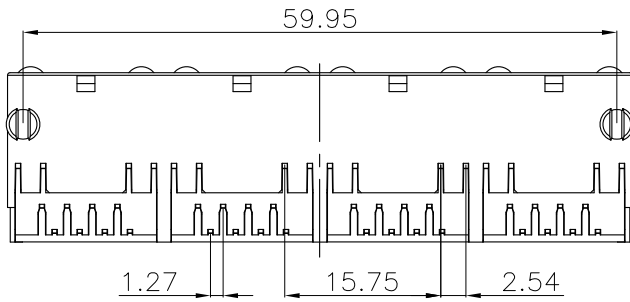
Storage Temperature:-50°C~+75°C

Contact Normal Force:100g Minimum

Soldering Temperature:

260+/-5°C,5sec/95%Areabe covered

Withstand Temperature: 270+/-5°C,5sec No stick tin melting phenomenon



LED Color Options Table

LED Color Options		LED DASH OPTION	Choose
LED 2 (Left)	LED 1 (Right)		
Without LED	Without LED	00	
Green	Orange	01	
Orange	Green	02	
Green	Red	03	
Red	Green	04	
Red	Yellow	05	
Orange	Orange/Green	06	
Orange	Green/Orange	07	
Green	No LED	08	
No LED	Yellow/Green	09	
Green/Orange	Yellow	10	
Green	Orange/Green	11	
Green/Yellow	Green/Yellow	12	
Green/Yellow	Green	13	
Red	Red	14	
Green/Red	Yellow/Green	15	
Green	Green/Yellow	16	
No LED	Green/Yellow	17	
Green	Yellow	18	
Yellow	Red	19	
Yellow/Green	Yellow/Green	20	
No LED	Green	21	

P/N:

RJ1045W-XXXX-XXXXXXXB

Model P/N

Plastical Material

- B0:PBT4815 15%GF,UL94-V0 ROHS
- B4:PBT5615 15%GF,UL94-V0 ROHS&H.F
- D0:PA66 30%GF,UL94-V0 ROHS

Button Color

- 01:Black
- 02:Red(485c)
- 03:White
- 04:Yellow(114c)
- 08:Gray(Cool Gray2C)

Packing

- B:Tray

Chocolate:

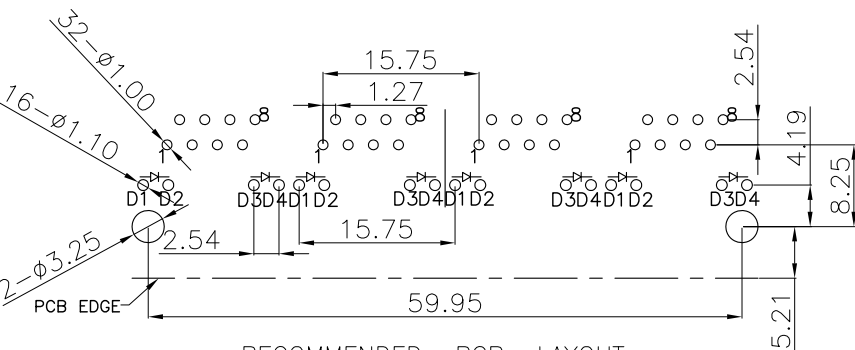
LED Color Options Table

Plating Code:

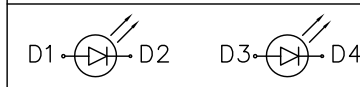
- 00:Gold Flash
- 01:6u"
- 02:15u"
- 03:30u"
- 04:50u"

Contacts:

- 8C:8Pin Contacts



LED ELECTRICAL CHARACTERISTIC



RECOMMENDED PCB LAYOUT
TOP VIEW
TOLERANCE:±0.05mm
PCB THICKNESS: 1.60±0.05mm

Tolerance	MODEL NAME:RJ45 CONNECTOR 90° DIP	DRAWING: David Zhou
X.X ±0.30	MODEL No:RJ1045W-XXXX-XXXXXXX	CHECKED: David Zhou
X.XX ±0.20	SCALE:1:1	APPROVED:Jacky Lee
X.XXX ±0.10		REVISION A0
Angle ±3.0°	SHEET 1/1	FILE: CD/LINGYANG
UNIT:mm	菱揚精密有限公司 Ling Yang Precision Co.,Ltd	DWG NO.RJ1045W-A001

NO.	DESCRIPTION	QTY	PARTS MATERIAL	PLATING OR COLOR	REMARK
3	LED	8	-----	Choose from P/N item color	-
2	TERMINAL	32	0.35mm Thickness Copper Alloy,Plated With Gold And Tin In Solder Area.	Selective Gold Plating.(Gold See Part No)	-
1	Housing	1	Choose from P/N	Choose from P/N item color	-