

正式图 参考图 CUSTOMER DRAWING
The requirements of environmental protection
ROHS2 Halogen free

Mark	ECN NO.	DESCRIPTION	DESIGN	Date:
—	—	NEW VERSION	Zeng Yu	2013.11.22

SPECIFICATION:

Electrical:

Current Rating:1.5Amp max
Voltage Rating:150VAC max
Insulation Resistance:500 megohms min
Contact Resistance:50 milliohms max
Withstanding Voltage:1000 VAC

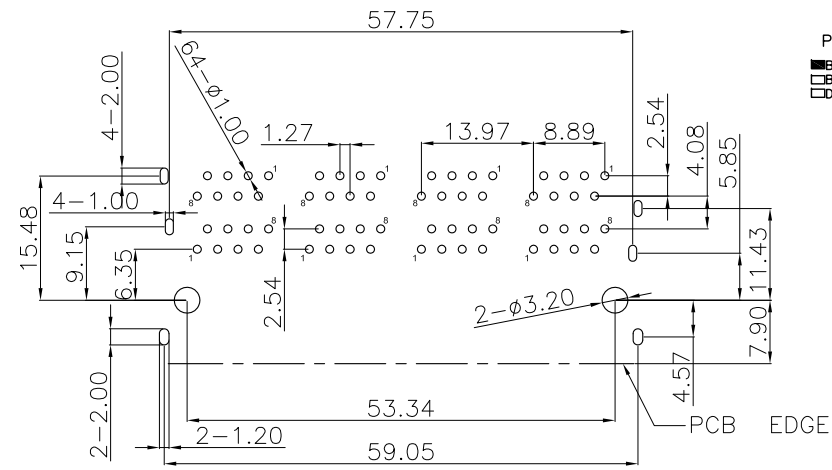
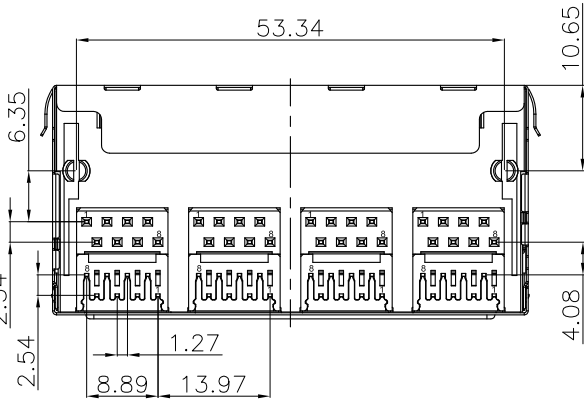
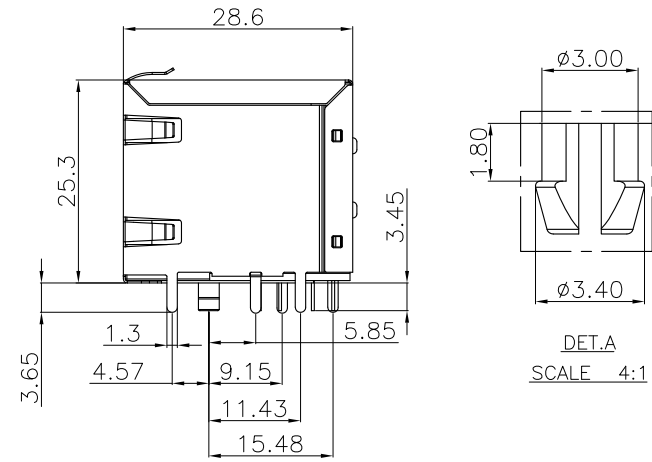
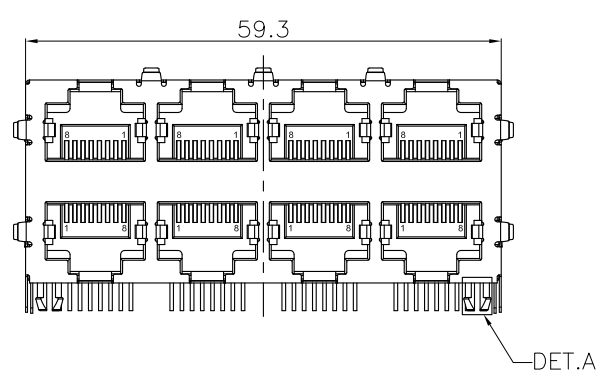
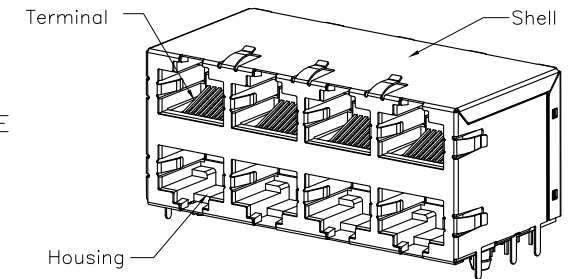
Mechanical:

Durability:750 Cycles
Operating Temperature:-40℃~+70℃
Storage Temperature:-50℃~+75℃
Contact Normal Force:100g Minimum
Soldering Temperature:
260+/-5℃,5sec/95%Area be covered
Withstand Temperature: 270+/-5℃,5sec No stick tin melting phenomenon

P/N:

RJ1006W-XXXX-XXXX00B

- Model P/N: RJ1006W-XXXX-XXXX00B Packing B:Tray
- Plastical Material: B0:PBT4815 15%GF,UL94-V0 ROHS Chocolate: LED Color Options Table
B4:PBT5615 15%GF,UL94-V0 ROHS&H.F Plating Code: 00:Gold Flash
D0:PA66 30%GF,UL94-V0 ROHS 01:6u"
 02:15u"
 03:30u"
 04:50u"
- Button Color: 01:Black Contacts: 8C:8Pin Contacts
02:Red(485C)
03:White
04:Yellow(114C)
08:Gray(Cool Gray2C)



RECOMMENDED PCB LAYOUT
TOP VIEW
TOLERANCE: ±0.05mm
PCB THICKNESS: 1.60±0.05mm

3	Shell	1	Copper Alloy	Nickel Plating	
2	TERMINAL	64	0.35mm Thickness Copper Alloy,Plated With Gold And Tin In Solder Area.	Selective Gold Plating.(Gold See Part No)	-
1	Housing		Choose from P/N	Choose from P/N item color	-
NO.	DESCRIPTION	QTY	PARTS MATERIAL	PLATING OR COLOR	REMARK

Tolerance	MODEL NAME:RJ45 CONNECTOR	DRAWING: Miao Xue Ting
X.X ±0.30	MODEL No:RJ1006W-B001-8C0000B	CHECKED: Zeng Yu
X.XX ±0.20	SCALE: 1:1	APPROVED: Xiao Zhong Bo
X.XXX ±0.10		REVISION A0
Angle ±3.0°	SHEET 1/1	DATE: 2013.11.22
UNIT:mm	菱揚精密有限公司 Ling Yang Precision Co.,Ltd	FILE: XZB/LINGYANG
		DWG NO.RJ1006W-A002