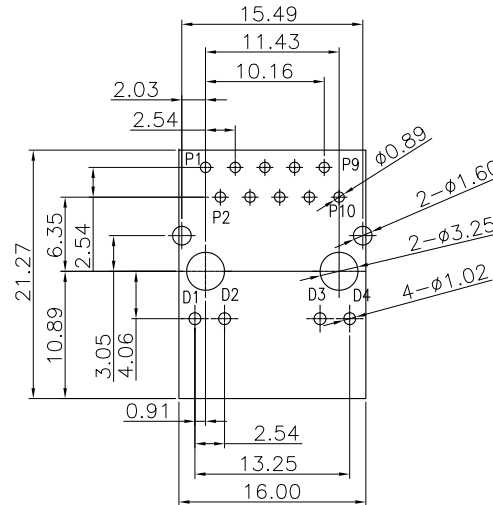
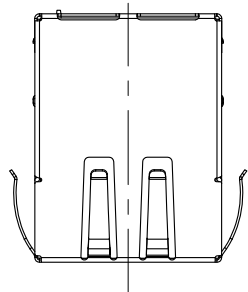


正式图 参考图 CUSTOMER DRAWING  
The requirements of environmental protection  
ROHS2 Halogen free

Mark	ECN NO.	DESCRIPTION	DESIGN	Date:
—	—	NEW VERSION	David Zhou	2014.08.11

1. MECHANICAL DIMENSIONS:



RECOMMENDED PCB LAYOUT  
(COMPONENT SIDE VIEW)

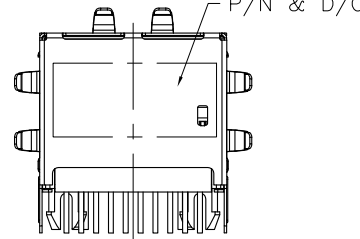
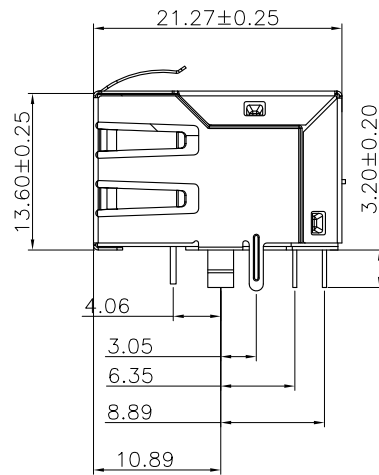
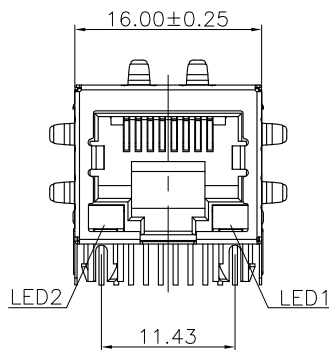
SPECIFICATION:

Mechanical:  
Durability: 750 Cycles  
Operating Temperature: -40°C ~ +70°C  
Storage Temperature: -50°C ~ +75°C  
Contact Normal Force: 100g Minimum  
Soldering Temperature:  
260+/-5°C, 5sec/95% Areabe covered  
Withstand Temperature: 270+/-5°C, 5sec No stick  
tin melting phenomenon

P/N:

RTXXXXX-XXXX-XXXX85X

Model P/N: \_\_\_\_\_ Packing:  B: Tray;  R: Tape reel;  
Plastical Material: \_\_\_\_\_ Circuit Type: \_\_\_\_\_  
LED Polarity: \_\_\_\_\_ LED Color Options Table: \_\_\_\_\_  
Button Color:  0: Black Plating Code:  0: Gold Flash  
 1: 6u"  2: 15u"  3: 30u"  4: 50u"  
 8: 8Pin Contacts  B: 10Pin Contacts



LED Polarity Table  
(Applicable only for single-colored LED)

插脚	LED 2 (Left)	LED 1 (Right)
0		
1		
2		
3		

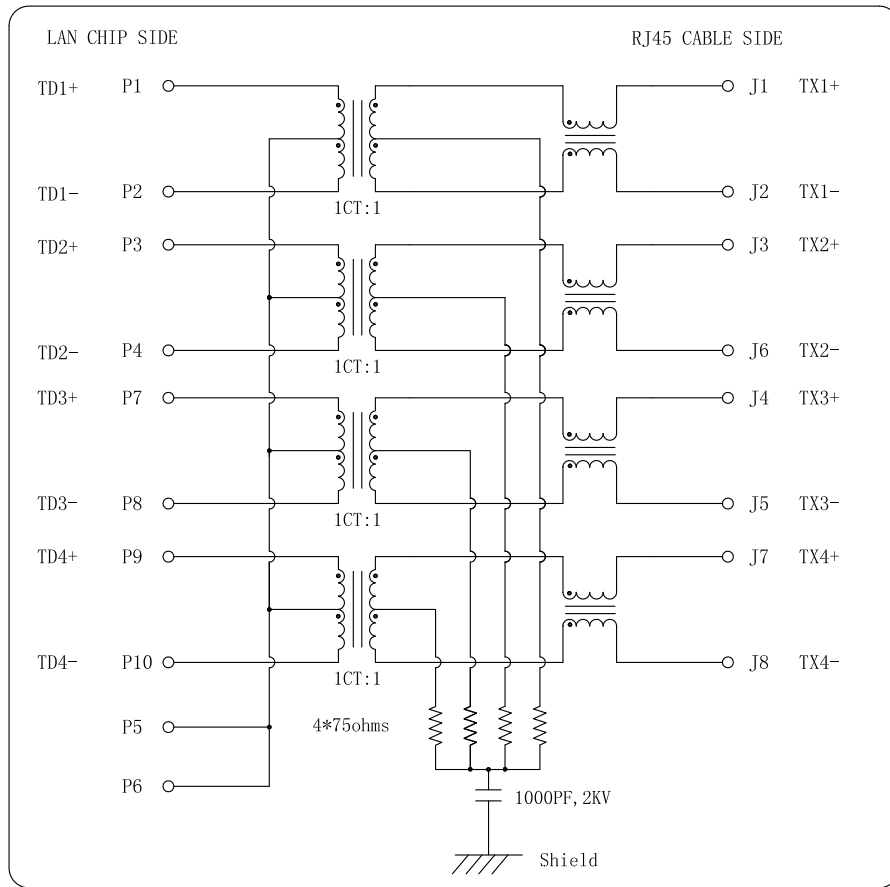
LED Color Options Table

LED 2 (Left)	LED 1 (Right)	LED DASH OPTION	Choose
Without LED	Without LED	0	
Green	Orange	1	
Orange	Green	2	
Green	Red	3	
Red	Green	4	
Red	Yellow	5	
Orange	Orange/Green	6	
Orange	Green/Orange	7	
Green	No LED	8	
No LED	Yellow/Green	9	
Green/Orange	Yellow	A	
Green	Orange/Green	B	
Green/Yellow	Green/Yellow	C	
Green/Yellow	Green	D	
Red	Red	F	
Green/Red	Yellow/Green	F	
Green	Green/Yellow	G	
No LED	Green/Yellow	H	
Green	Yellow	J	
Yellow	Red	K	
Yellow/Green	Yellow/Green	L	
Yellow	Green	M	

NO.	DESCRIPTION	QTY	PARTS MATERIAL	PLATING OR COLOR	REMARK
5	X	X	X	X	X
4	LED	2	X	X	X
3	Shell	1	Brass	Nickel Plating	T=0.20
2	Terminal	10	0.35mm Thickness Phosphor	Selective Gold Plating (Gold See Part No)	X
1	Housing	1	Choose from P/N	Choose from P/N item color	UL 94V-0

Tolerance	MODEL NAME: RJ45 CONNECTOR WITH TRANSFORMER	DRAWING: David Zhou
X.X ±0.30	MODEL No: RT1004W-XXXX-XXXX85X	CHECKED: David Zhou
X.XX ±0.20	REVISION	APPROVED: Jacky Lee
X.XXX ±0.10	SCALE: 1:1	DATE: 2014.08.11
Angle ±3.0°	A0	1/2
UNIT: mm	菱揚精密有限公司 Ling Yang Precision Co., Ltd	FILE: CD/LINGYANG
		DWG NO. RT1004W-A001

2. SCHEMATIC : (85)



3. ELECTRICAL CHARACTERISTICS :

Test Notes:(25±5°C)

1.TR:(100KHz,0.1V);

Pins:(P1,P2):(J1,J2)=1:1±3%;(P3,P4):(J3,J6)=1:1±3%

Pins:(P7,P8):(J4,J5)=1:1±3%;(P9,P10):(J7,J8)=1:1±3%

2.LX:(100KHz,100mV,8mA, Dc Bias)

Pins:(P1,P2),(P3,P4),(P7,P8),(P9,P10)=350uH Minimum

3.DCR:

Pins:(J1-J2),(J3-J6),(J4,J5),(J7,J8)=1.2 Ω Maximum

4.HIPOT:

Pins:(P1,P2)To(J1,J2),(P3,P4)To(J3,J6)=1500VAC 60s or 2250VDC 60s

2250VDC 60s

Pins:(P7,P8)To(J4,J5),(P9,P10)To(J7,J8)=1500VAC 60s or

2250VDC 60s

5.INSERTION LOSS:

-0.8dB Maximum At 0.3MHz To 100MHz;

-1.2dB Maximum At 100MHz To 120MHz

6.RETURN LOSS:

-18dB Minimum At 0.5MHz To 40MHz;

-12+20Log(f/80MHz)dB Minimum At 0.1MHz To 100MHz

7.CROSS TALK:

-33+20Log(f/100MHz)dB Minimum At 0.1MHz To

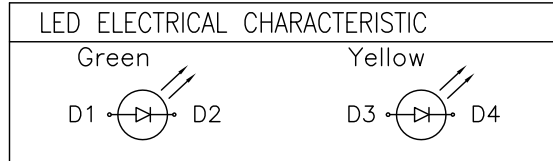
100MHz

8.COMMON TO DIFFERENTIAL MODE REJECTION:

-35dB Minimum At 300KHz To 100MHz

9.COMMON TO COMMON MODE REJECTION:

-30dB Minimum At 300KHz To 100MHz



Tolerance	MODEL NAME: RJ45 CONNECTOR WITH TRANSFORMER	DRAWING: David Zhou
X.X ±0.30	MODEL No:RT1004W-XXXX-XXXX85X	CHECKED: David Zhou
X.XX ±0.20	REVISION SHEET	APPROVED:Jacky Lee
X.XXX ±0.10		SCALE:1:1
Angle ±3.0°	A0	2/2
UNIT:mm	菱揚精密有限公司	FILE: CD/LINGYANG
	Ling Yang Precision Co.,Ltd	DWG NO.RT1004W-A001