

正式图 参考图 CUSTOMER DRAWING  
The requirements of environmental protection  
ROHS2 Halogen free

Mark	ECN NO.	DESCRIPTION	DESIGN	Date:
—	—	NEW VERSION	David Zhou	2014.01.06

NOTE:

- MATERIAL:
  - HOUSING: LCP
  - TERMINAL: C2680R(T=0.20mm)
  - SHELL: COPPER ALLOY/SPCC(T=0.50mm)
- PLATING:
  - TERMINAL:
 

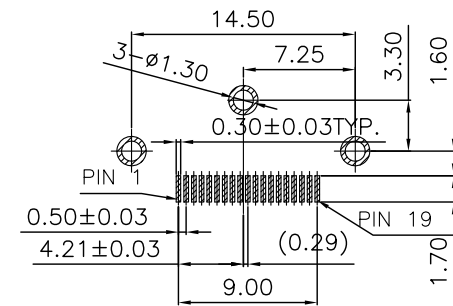
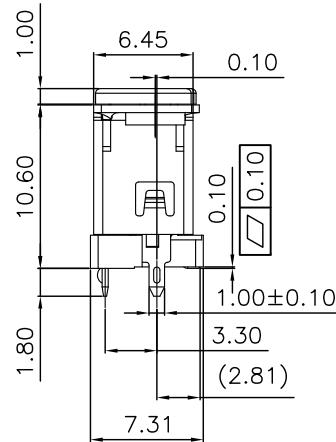
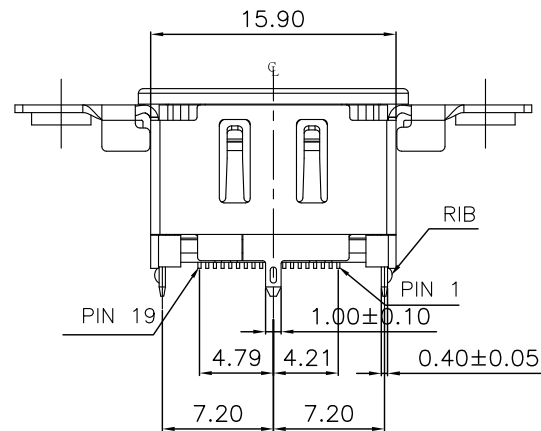
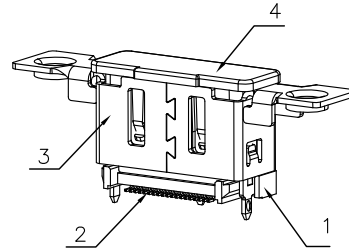
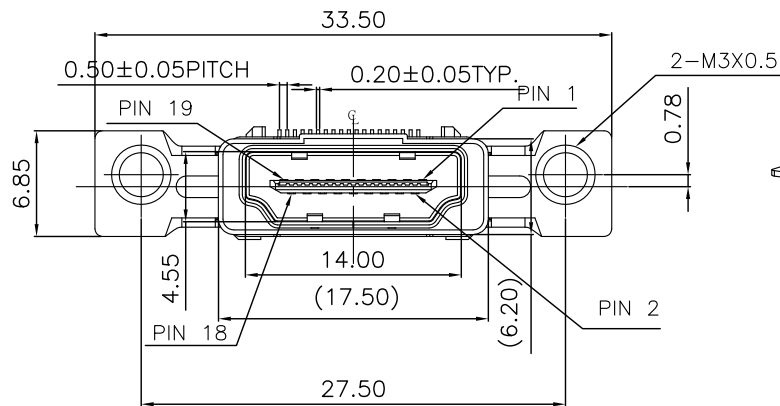
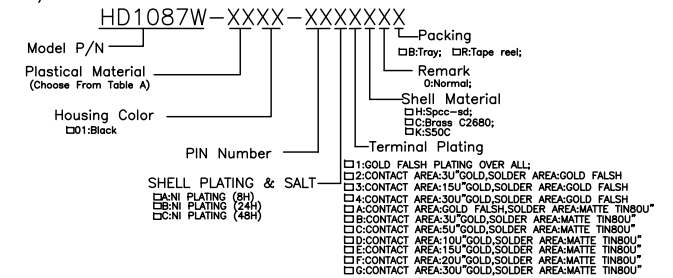
GOLD FLASH PLATING ON CONTACT AREA AND MATTE TIN PLATING ON SOLDER AREA, NICKEL UNDER PLATING OVER ALL.
  - SHELL:
 

NICKEL PLATING OVER ALL.

2	co	LCP 40%G/F UL94V-0	RoHS2&H.F Fit
1	LO	PA9T 30%G/F UL94V-0	RoHS2 Fit
NO.	CODE	MATERIAL	REMARK

TABLE A : Plactical Material

P/N:



RECOMMENDED PCB LAYOUT THICKNESS = 1.6 mm

TOLERANCE = ±0.05  
(TOP VIEW)

4	CAP	1	LCP	BLACK	-
3	SHELL	1	C2680 R-H (S50C T=0.5mm)	NICKEL(120U"min) PLATING OVER ALL.	-
2	TERMINAL	19	C2680 R-H	GOLD FLASH(0.8U"min) PLATING ON CONTACT AREA AND MATTE TIN(80U"min) PLATING ON SOLDER AREA,NICKEL(40U") UNDER PLATING OVER ALL.	-
1	HOUSING	1	LCP	Choose from P/N item color	-
NO.	DESCRIPTION	QTY	PARTS MATERIAL	PLATING OR COLOR	REMARK

Tolerance	MODEL NAME:HDMI CONNECTOR	DRAWING: David Zhou
X.X ±0.30	MODEL No:HD1087W-XXXX-XXXXXXX	CHECKED: David Zhou
X.XX ±0.20	REVISION	APPROVED:Jacky Lee
X.XXX ±0.10	A0	DATE: 2014.01.06
Angle ±3.0°	SCALE:1:1	FILE: CD/LINGYANG
UNIT:mm	菱揚精密有限公司 Ling Yang Precision Co.,Ltd	DWG NO. HD1087W-A001