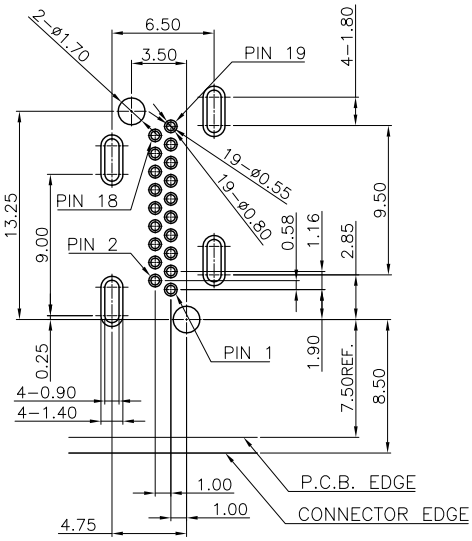
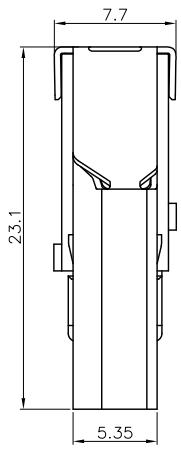


正式图 参考图 CUSTOMER DRAWING
The requirements of environmental protection
ROHS2 Halogen free

Mark	ECN NO.	DESCRIPTION	DESIGN	Date:
—	—	NEW VERSION	Carlyle Xu	2015.04.10

A
B
C
D
E
F

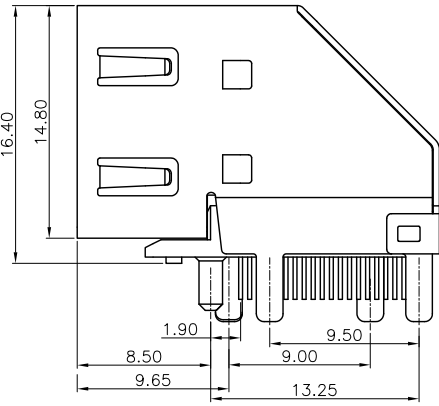
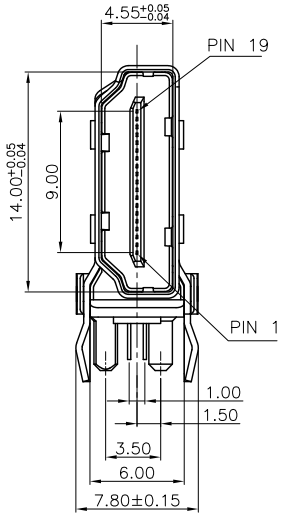
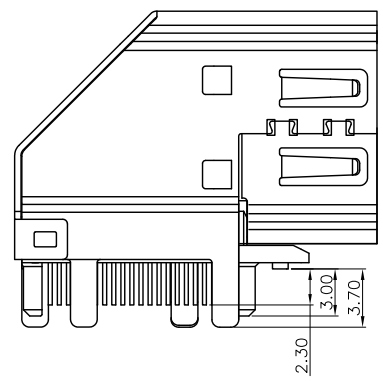


NOTE:
1.MECHANICAL CHARACTERISTICS
INSERTION FORCE: 44.1N MAX
EXTROCTION FORCE: 9.8N MIN, 39.2N MAX
MATING CYCLE:10000 CYCLES
2.ELECTRICAL CHARACTERISTICS
RATING CURRENT: 0.5A
RATING VOLTAGE: 40V
CONTACT RESISTANCE: 10 MILLOHMS OHMS MAX (EXCLUDING CONDUCTOR RESISTANCE)
INSULATION RESISTANCE:
a, UNMATED: 100M OHMS MIN AT 500 VDC
b, MATED: 10M OHMS MIN AT 150 VDC
DIELECTRIC WITHSTANDING VOLTAGE: 300V AC/1MINUTE
OPERATING TEMPERATURE: -20°C--+85°C
STORAGE TEMPERATURE: -20°C--+65°C

RECOMMENDED PCB LAYOUT (TOP VIEW)
TOLERANCE: ±0.05mm

1	CO	LCP,UL94-V0	RoHS2&H.F Fit
NO.	CODE	MATERIAL	REMARK

TABLE A : Plastical Material



P/N: HD1104W-XXXX-XXXXXXXX
Model P/N
Plastical Material (Choose From Table A)
Housing Color
PIN Number
Terminal Plating
SHELL PLATING & SALT
Packing
Remark
Shell Material
Terminal Plating

3	SHELL	1	Brass T=0.40mm	100u"MIN. NICKEL PLATING OVERALL.	-
2	TERMINAL	19	Brass T=0.20mm	GOLD FLASH PLATING ON CONTACT AREA AND MATTE TIN(100u"min) PLATING ON SOLDER AREA,NICKEL(50U") UNDER PLATING OVER ALL.	-
1	HOUSING	1	LCP	Choose from P/N item color	-
NO.	DESCRIPTION	QTY	PARTS MATERIAL	PLATING OR COLOR	REMARK

Tolerance X.X ±0.30 X.XX ±0.20 X.XXX ±0.10 Angle ±3.0°	MODEL NAME:HDMI CONNECTOR MODEL No:HD1104W-C001-19XXXXXX	DRAWING: Carlyle Xu CHECKED: David Zhou APPROVED:Jacky Lee DATE: 2015.04.10 FILE: CD/LINGYANG DWG NO. HD1104W-A001
UNIT:mm	SCALE:1:1 REVISION A0 SHEET 1/1	
	菱揚精密有限公司 Ling Yang Precision Co.,Ltd	