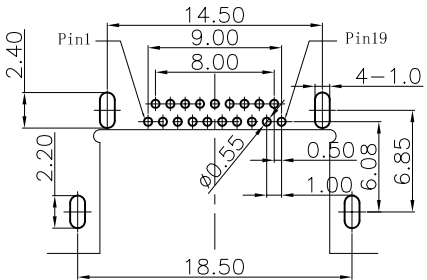
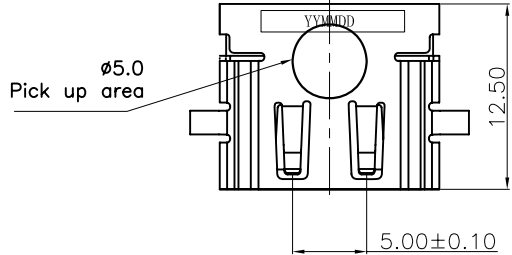


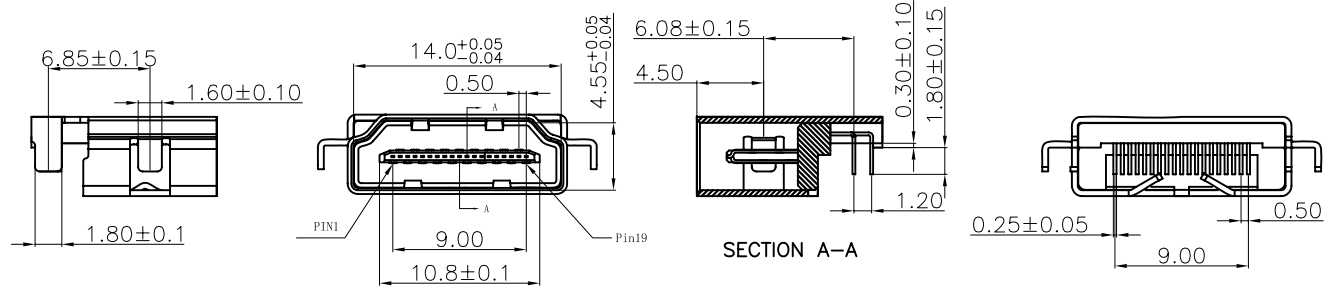
正式图 参考图
 CUSTOMER DRAWING
 The requirements of environmental protection
 ROHS2 Halogen free

Mark	ECN NO.	DESCRIPTION	DESIGN	Date:
—	—	NEW VERSION	David Zhou	2015.07.02



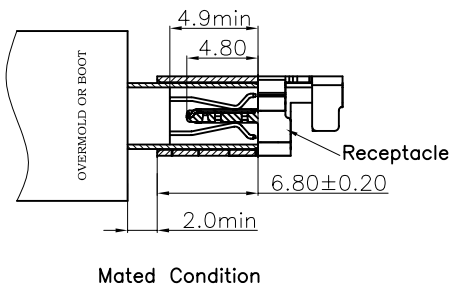
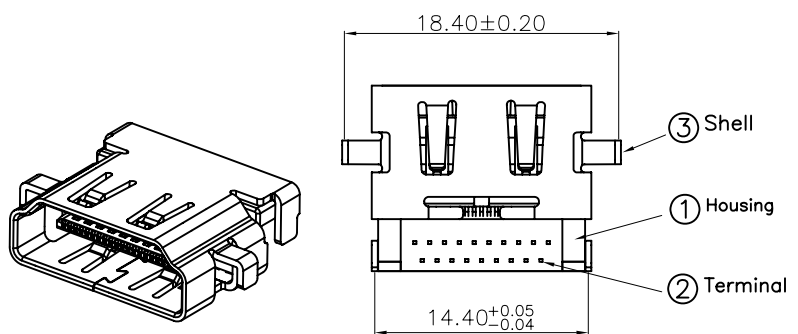
RECOMMENDED PCB LAYOUT (TOP VIEW)
 TOLERANCE: ±0.05mm

NOTE:
 1.MECHANICAL CHARACTERISTICS
 INSERTION FORCE: 44.1N MAX
 EXTROCTION FORCE: 9.8N MIN, 39.2N MAX
 MATING CYCLE:10000 CYCLES
 2.ELECTRICAL CHARACTERISTICS
 RATING CURRENT: 0.5A
 RATING VOLTAGE: 40V
 CONTACT RESISTANCE: 10 MILLOHMS OHMS MAX
 (EXCLUDING CONDUCTOR RESISTANCE)
 INSULATION RESISTANCE:
 a, UNMATED: 100M OHMS MIN AT 500 VDC
 b, MATED: 10M OHMS MIN AT 150 VDC
 DIELECTRIC WITHSTANDING VOLTAGE: 300V AC/1MINUTE
 OPERATING TEMPERATURE: -20°C--+85°C
 STORAGE TEMPERATURE: -20°C--+65°C



2	CO	LCP 40%G/F UL94V-0	RoHS2&H.F Fit
1	LO	PA9T 30%G/F UL94V-0	RoHS2 Fit
NO.CODE MATERIAL			REMARK

TABLE A : Plactical Material



P/N: HD1107W-XXXX-XXXXXXX

Model P/N: _____ Packing: Tray; Tape reel;

Plactical Material (Choose From Table A): _____ Remark: WITHOUT MYLAR; WITH MYLAR

Housing Color: 01:Black Shell Material: H:Spcc-sd; C:Brass C2680;

PIN Number: _____ Terminal Plating:
 1:GOLD FLASH PLATING OVER ALL;
 2:CONTACT AREA:3U"GOLD,SOLDER AREA:GOLD FLASH
 3:CONTACT AREA:15U"GOLD,SOLDER AREA:GOLD FLASH
 4:CONTACT AREA:30U"GOLD,SOLDER AREA:GOLD FLASH
 A:CONTACT AREA:GOLD FLASH,SOLDER AREA:MATTE TIN80U"
 B:CONTACT AREA:3U"GOLD,SOLDER AREA:MATTE TIN80U"
 C:CONTACT AREA:5U"GOLD,SOLDER AREA:MATTE TIN80U"
 D:CONTACT AREA:10U"GOLD,SOLDER AREA:MATTE TIN80U"
 E:CONTACT AREA:15U"GOLD,SOLDER AREA:MATTE TIN80U"
 F:CONTACT AREA:20U"GOLD,SOLDER AREA:MATTE TIN80U"
 G:CONTACT AREA:30U"GOLD,SOLDER AREA:MATTE TIN80U"

SHELL PLATING & SALT:
 A:NI PLATING (8H)
 B:NI PLATING (24H)
 C:NI PLATING (48H)

NO.	DESCRIPTION	QTY	PARTS MATERIAL	PLATING OR COLOR	REMARK
3	SHELL	1	C2680 R-H	NICKEL(120U"min) PLATING OVER ALL.	—
2	TERMINAL	19	C2680 R-H	GOLD FLASH(0.8U"min) PLATING ON CONTACT AREA AND MATTE TIN(80U"min) PLATING ON SOLDER AREA,NICKEL(40U") UNDER PLATING OVER ALL.	—
1	HOUSING	1	LCP	Choose from P/N item color	—

Tolerance X.X ±0.30 X.XX ±0.20 X.XXX ±0.10 Angle ±3.0°	MODEL NAME:HDMI CONNECTOR MODEL No:HD1107W-XXXX-19XXXXX	DRAWING: David Zhou CHECKED: David Zhou
UNIT:mm	SCALE:1:1 REVISION A0 SHEET 1/1	APPROVED:Jacky Lee DATE: 2015.07.02
菱揚精密有限公司 Ling Yang Precision Co.,Ltd		FILE: CD/LINGYANG DWG NO. HD1107W-A001