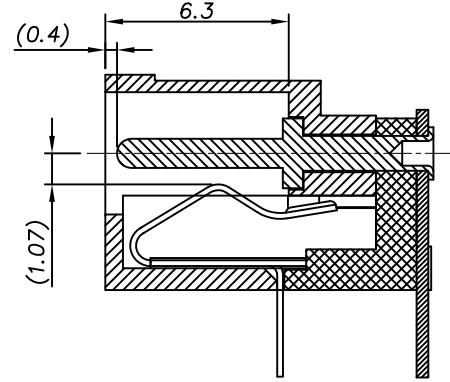
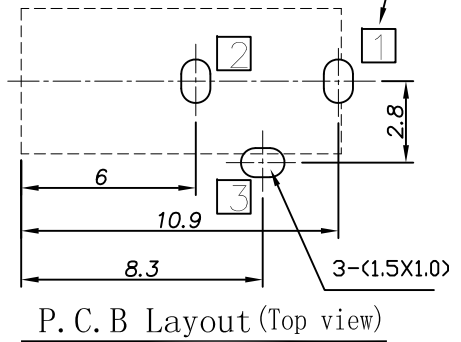
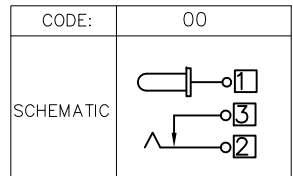
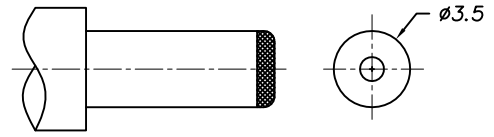
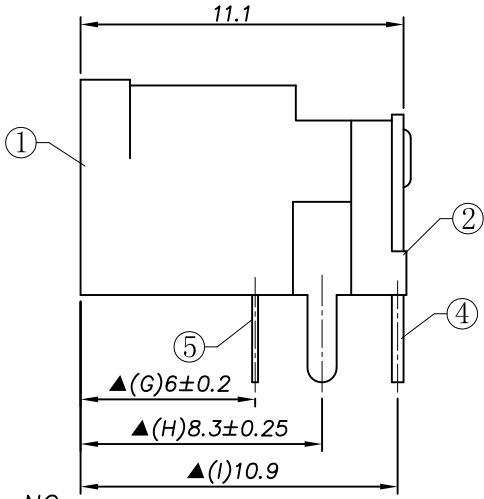
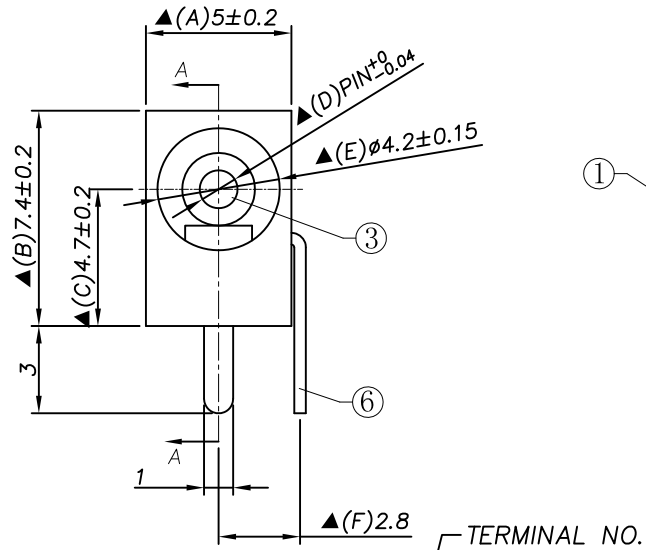


Mark	ECN NO.	DESCRIPTION	DESIGN	Date:
—	—	NEW VERSION	Zeng Yu	2014.01.07
△1	EN20140926001	Update the description	David Zhou	2014.09.26



NO.	Center Pin Dim Code	CENTER PIN DIA. #A	PLUG DIM. O.D
4			
3			
2	0130	∅1.30 <sup>+0.05</sup>	∅3.50
1	0100	∅1.00 <sup>+0.05</sup>	∅3.50

TABLE A: Model of Center Pin

NO.	CODE	MATERIAL	REMARK
2	B4	PBT 30%G/F UL94V-0	RoHS2&H.F Fit
1	B0	PBT 30%G/F UL94V-0	RoHS2 Fit

TABLE B: Plastical Material

- NOTES:
- Rating: DC30V 1A;
  - Contact Resistance: ≤50Milliohm;
  - Insulation Resistance: ≥100Megohm;
  - Withstand Voltage: AC500V for one minute;
  - Insertion and Extraction force: 3~30N;
  - Life test: 5000 Cycles.
  - Operating Temperature: -25°C~+70°C 85%RH Max;
  - Storage Temperature: -40°C~+85°C 85%RH Max.

NO.	DESCRIPTION	QTY	PARTS MATERIAL	PLATING OR COLOR	REMARK
⑥	Shunt terminal	1	Brass 0.4t	PLATED Ag	X
⑦	Tip spring	1	Stainless Steel 0.2t	PLATED Ag	X
④	Center pin terminal	1	Brass 0.4t	PLATED Ag	X
③	Center pin	1	Brass	PLATED Ni	X
②	Cover	1	CHOOSE FROM TABLE B	Black	X
①	Housing	1	CHOOSE FROM TABLE B	Black	X

Tolerance  
X.X ±0.30  
X.XX ±0.20  
X.XXX ±0.10  
Angle ±3.0°

UNIT:mm

MODEL NAME:DC POWER JACK  
MODEL No:DC00020-XX01-XXXX00X

SCALE:1:1  
REVISION SHEET A1 1/1

DRAWING: Miao Xue Ting  
CHECKED: Zeng Yu  
APPROVED: Xiao Zhong Bo  
DATE: 2014-01-07  
FILE: XZB/LINGYANG  
DWG NO.DC00020-A001

菱揚精密有限公司  
Ling Yang Precision Co., Ltd

P/N: DC00020-XXXX-XXXXXXXX

Model P/N \_\_\_\_\_ Packing  
Plastical Material \_\_\_\_\_ B: Tray;  
(Choose From Table B) \_\_\_\_\_ P: PE bag  
Housing Color \_\_\_\_\_ SCHEMATIC  
01:Black  
Center Pin Dim Code  
(Choose from TABLE A)