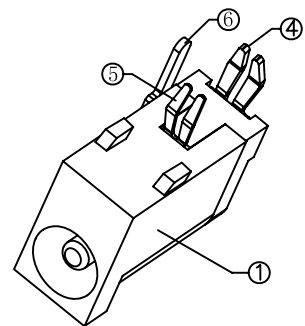
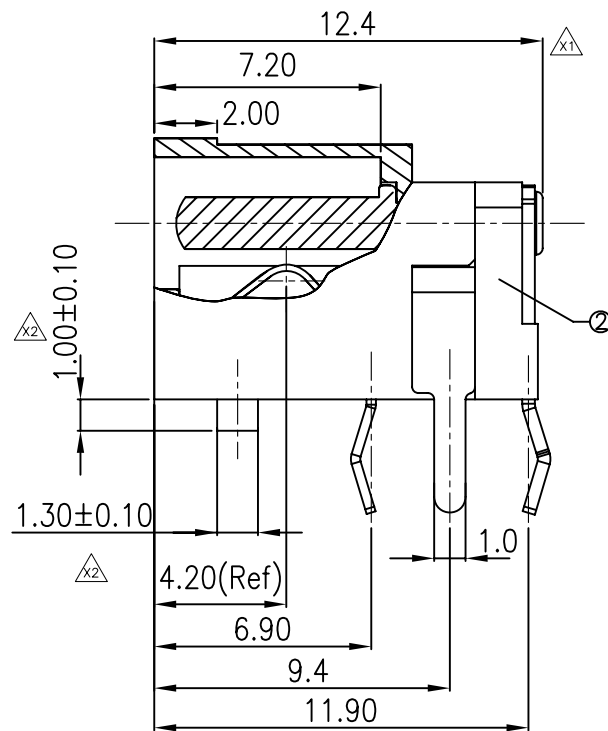
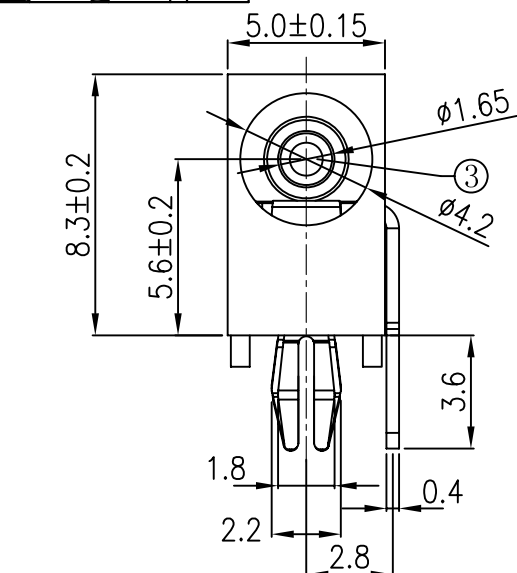


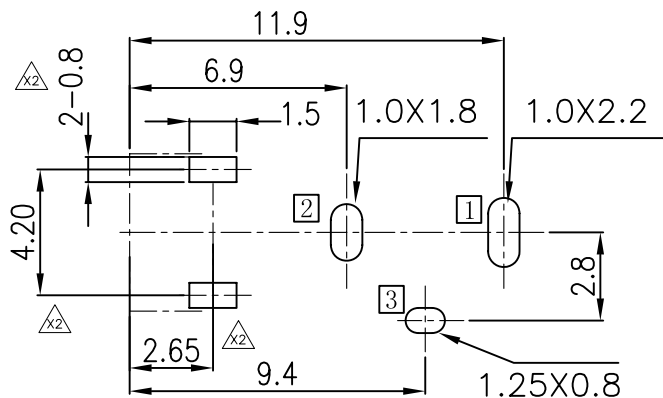
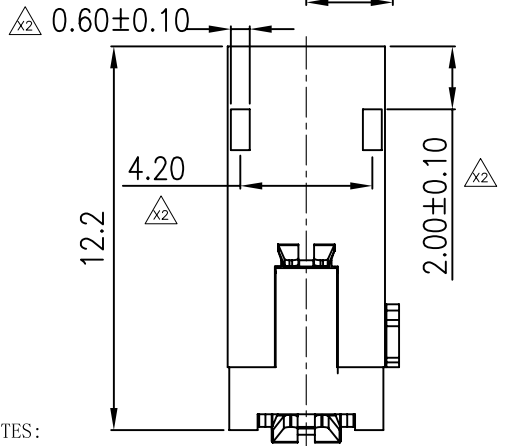
正式图 参考图
CUSTOMER DRAWING
ROHS2 Halogen Free

Mark	ECN NO.	DESCRIPTION	DESIGN	Date:
		NEW VERSION	David Zhou	2015-05-06
x1	EN20150616001	Modify the NOTES	David Zhou	2015-06-15
x2	EN20150804001	Change part of the structure	David Zhou	2015-08-04



Code:	00
Schematic	
Choose	

Schematic Code



RECOMMENDED P.C.B.LAYOUT
UNSPECIFIED TOLERANCE:±0.05
(TOP VIEW)

1	0165	φ1.65 ^{+0.05}	φ4.0±0.05
NO	Center Pin Dim Code	CENTER PIN DIM.	PLUG DIM. OD

TABLE A: Model of Center Pin

3			
2	B0	PBT 30%/F UL94V-0	RoHS2 Fit
1	D0	PA66 30%/F UL94V-0	RoHS2 Fit
NO.	CODE	MATERIAL	REMARK

TABLE B: Plactical Material

P/N:

DC002NF-B001-016500P

Model P/N

Plactical Material
(Choose From Table B)

Housing Color

- 01:Black
- 02:Red
- 03:White
- 04:Yellow
- 08:Gray

Packing
□B:Tray; ■P:PE bag;

Remark
Schematic Code

Center Pin Dim Code
(Choose From Table A)

- NOTES:
- Rating:DC12V 4A;
 - Contact Resistance:≤20m11iohm;
 - Insulation Resistance:≥100Megohm;
 - Withstand Voltage:AC500V for one minute;
 - Insertion and Extraction force:5~30N; $\Delta x1$
 - Life test:5000 Cycles.
 - Operating Temperature:-25° C~+70° C 85%RH Max;
 - Storage Temperature:-40° C~+85° C 85%RH Max.

NO.	DESCRIPTION	QTY	PARTS MATERIAL	PLATING OR COLOR	REMARK
6	Shunt terminal	1	BRASS	Nickel80u"Min+Silver20u"Min.	T=0.4
5	Tip spring	1	Phosphor Bronze	Nickel80u"Min+Silver20u"Min.	T=0.3
4	Center pin terminal	1	BRASS	Nickel80u"Min+Silver20u"Min.	T=0.4
3	Center pin	1	BRASS	Nickel80u"Min	
2	Cover	1	Choose from Table B	Choose from P/N color	
1	Housing	1	Choose from Table B	Choose from P/N color	

Tolerance	MODEL NAME:DC POWER JACK	DRAWING: David Zhou
X.X ±0.30	MODEL No:DC002NF-B001-016500P	CHECKED: David Zhou
X.XX ±0.20	REVISION SHEET	APPROVED: <i>Jacky Lee</i>
X.XXX ±0.10	SCALE:1:1	DATE: 2015-05-06
Angle ±3.0°	A2	1/1
UNIT:mm	菱揚精密有限公司 Ling Yang Precision Co.,Ltd	FILE: CD/LINGYANG
		DWG NO. DC002NF-A002