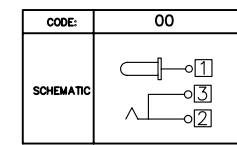


**DC MATE PLUG**

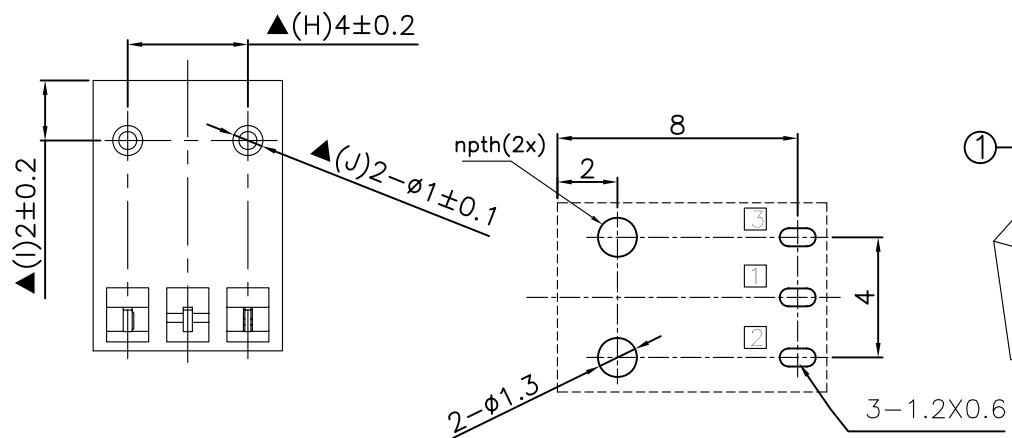
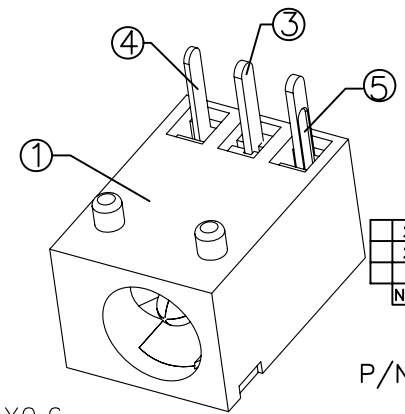


2	0130	φ1.3±0.05
1	0100	φ1.0±0.05
NO. Center Pin Dim Code		CENTER PIN DIA. #A

TABLE A: Model of Center Pin

2	L0	PA9T G/F UL94V-0	RoHS2 Fit
2	D6	PA66 G/F UL94V-0	RoHS2&H.F Fit
1	D0	PA66 G/F UL94V-0	RoHS2 Fit
NO. CODE	MATERIAL		REMARK

TABLE B : Plastical Material



RECOMMENDED P.C.B. LAYOUT  
UNSPECIFIED TOLERANCE: ±0.05  
(TOP VIEW)

- NOTES:
1. Rating: DC20V 4A;
  2. Contact Resistance: ≤50Milliohm;
  3. Insulation Resistance: ≥100Megohm;
  4. Withstand Voltage: AC500V for one minute;
  5. Insertion and Extraction force: 3~30N;
  6. Life test: 5000 Cycles.
  7. Operating Temperature: -25°C~+70°C 85%RH Max;
  8. Storage Temperature: -40°C~+85°C 85%RH Max.

P/N:

Model P/N DC00030-XXXX-XXXXXXX Packing  
Plastical Material (Choose From Table B) □B:Tray;  
Housing Color 01:Black SCHEMATIC  
Center Pin Dim Code (Choose from TABLE A)

NO.	DESCRIPTION	QTY	PARTS MATERIAL	PLATING OR COLOR	REMARK
⑤	Shunt terminal	1	Brass 0.3t	PLATED Ag	X
④	Tip spring	1	SUS301 0.2t	PLATED Ag	X
③	Center pin	1	Brass 0.3t	PLATED Ag	X
②	Cover	1	CHOOSE FROM TABLE B	Black	X
①	Housing	1	CHOOSE FROM TABLE B	Black	X

Tolerance X.X ±0.30 X.XX ±0.20 X.XXX ±0.10 Angle ±3.0°	MODEL NAME: DC POWER JACK MODEL No: DC00030-XX01-XXXX00X	DRAWING: Miao Xue Ting CHECKED: Zeng Yu
UNIT: mm	SCALE: 1:1 REVISION SHEET A0 1/1	APPROVED: Xiao Zhong Bo DATE: 2014-01-06
	菱揚精密有限公司 Ling Yang Precision Co., Ltd	FILE: XZB/LINGYANG DWG NO. DC00030-A001