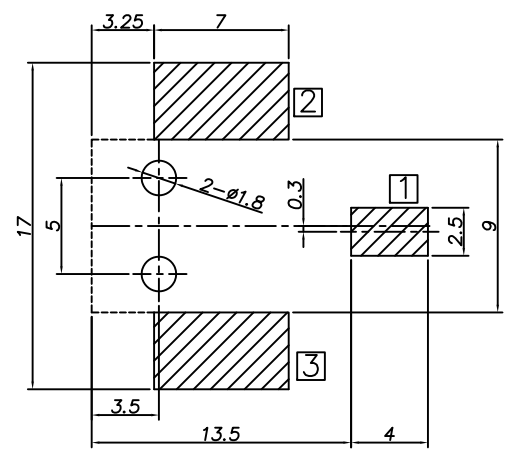
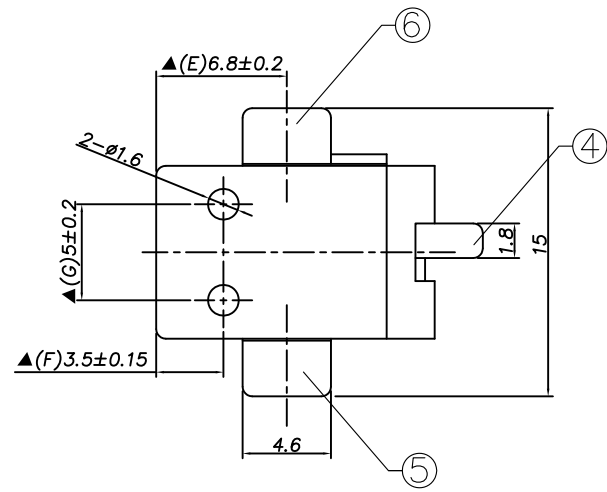


DC MATE PLUG

- NOTES:
- Rating:DC30V 1A;
  - Contact Resistance:≤30Milliohm;
  - Insulation Resistance:≥100Megohm;
  - Withstand Voltage:AC500V for one minute;
  - Insertion and Extraction force:3~30N;
  - Life test:5000 Cycles.
  - Operating Temperature:-25° C~+70° C 85%RH Max;
  - Storage Temperature:-40° C~+85° C 85%RH Max.



P. C. B Layout (Top view)



1	0130	ø1.30±0.05	SCHEMATIC		1
NO.	Center Pin Dim Code	CENTER PIN DIA. ØA			3
					2

TABLE A: Model of Center Pin

2	L3	PA10T 30%/F UL94V-0	RoHS2&H.F Fit
1	L0	PA9T 30%/F UL94V-0	RoHS2 Fit
NO.	CODE	MATERIAL	REMARK

TABLE B : Plastical Material

P/N: DC00880-XXXX-XXXXXXX

Model P/N \_\_\_\_\_ Packing

Plastical Material \_\_\_\_\_  B:Tray  
(Choose From Table B)  R:Tape reel.

Housing Color \_\_\_\_\_ Remark  
01:Black 00:Normal

Center Pin Dim Code  
(Choose From Table A)

⑥	Shunt terminal	1	Brass 0.5t	PLATED Ag	X
⑤	Tip Spring	1	Phosphor bronze 0.25t	PLATED Ag	X
④	CENTER PIN TERMINAL	1	Brass 0.5t	PLATED Ag	X
③	CENTER PIN	1	Brass	PLATED Nickel	X
②	Cover	1	CHOOSE FROM TABLE B	Black	X
①	HOUSING	1	CHOOSE FROM TABLE B	Black	X
NO.	DESCRIPTION	QTY	PARTS MATERIAL	PLATING OR COLOR	REMARK

Tolerance	MODEL NAME:DC POWER JACK	DRAWING: Miao Xue Ting
X.X ±0.30	MODEL No:DC00880-XX01-013000R	CHECKED: Zeng Yu
X.XX ±0.20	SCALE:1:1	REVISION SHEET
X.XXX ±0.10		A0
Angle ±3.0°	UNIT:mm	DATE: 2014-01-06
	菱揚精密有限公司 Ling Yang Precision Co.,Ltd	FILE: XZB/LINGYANG
		DWG NO:DC00880-A001