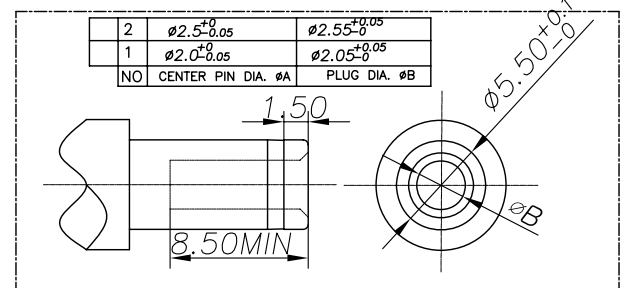
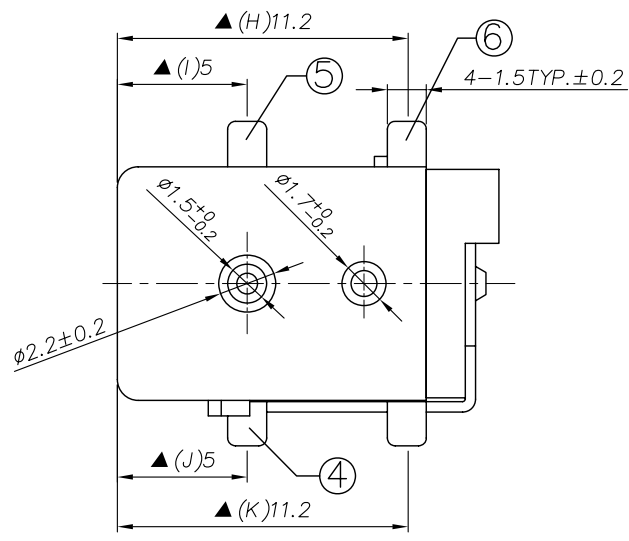
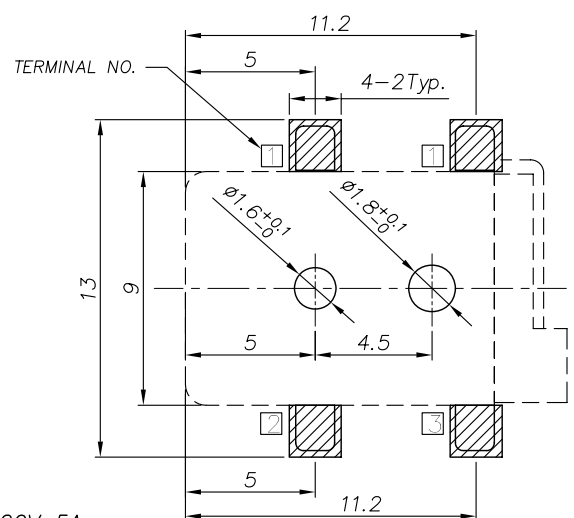
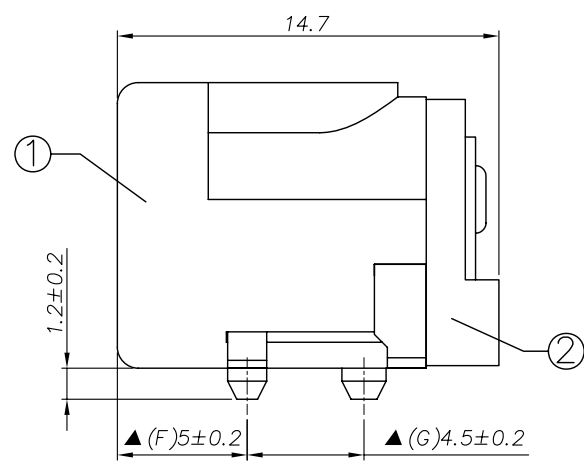
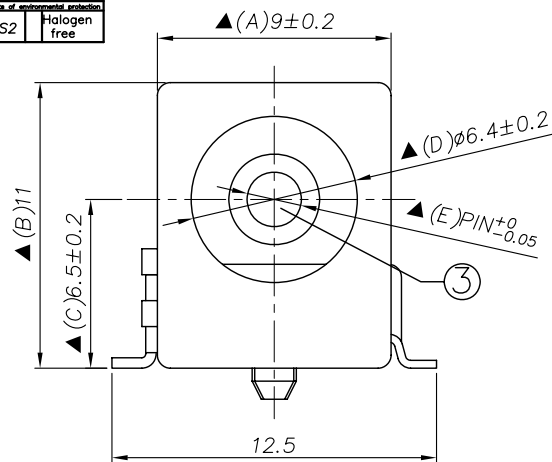


正式图 参考图
CUSTOMER DRAWING
 The requirements of environmental protection
 ROHS2 Halogen free

Mark	ECN NO.	DESCRIPTION	DESIGN	Date:
—	—	NEW VERSION	Carlyle Xu	2015.10.16



NO.	Center Pin Dim Code	CENTER PIN DIA. φA	SCHEMATIC	
2	0250	φ2.5 ⁺⁰ _{-0.05}	01	
1	0200	φ2.0 ⁺⁰ _{-0.05}	00	

TABLE A: Model of Center Pin

NO.	CODE	MATERIAL	REMARK
2	L3	PA10T 30%G/F UL94V-0	RoHS2&H.F Fit
1	L0	PA9T 30%G/F UL94V-0	RoHS2 Fit

TABLE B : Plastical Material

- NOTES:
- Rating:DC20V 5A;
 - Contact Resistance:≤30Milliohm;
 - Insulation Resistance:≥100Megohm;
 - Withstand Voltage:AC500V for one minute;
 - Insertion and Extraction force:3~30N;
 - Life test:5000 Cycles.
 - Operating Temperature:-25°C~+70°C 85%RH Max;
 - Storage Temperature:-40°C~+85°C 85%RH Max.

P/N: DC00500-XXXX-XXXXXXR

Model P/N _____ Packing _____
 _____ □R:Tape reel.
 Plastical Material _____ SCHEMATIC _____
 (Choose From Table B) Choose from table A
 Housing Color _____
 01:Black Center Pin Dim Code
 (Choose From Table A)

NO.	DESCRIPTION	QTY	PARTS MATERIAL	PLATING OR COLOR	REMARK
6	SHUNT TERMINAL	1	Copper alloy	PLATED Ag	X
5	TIP SPRING	1	Copper alloy	PLATED Ag	X
4	CENTER PIN TERMINAL	1	Copper alloy	PLATED Ag	X
3	CENTER PIN	1	Copper alloy	PLATED NICKEL	X
2	COVER	1	CHOOSE FROM TABLE B	BLACK	X
1	HOUSING	1	CHOOSE FROM TABLE B	CHOOSE FROM TABLE B	X

Tolerance	MODEL NAME:DC POWER JACK	DRAWING: Carlyle Xu
X.X ±0.30	MODEL No:DC00500-XX01-XXXXXXR	CHECKED: David Zhou
X.XX ±0.20	REVISION SHEET	APPROVED:Jacky Lee
X.XXX ±0.10		DATE: 2015.10.16
Angle ±3.0°	SCALE:1:1	FILE: CD/LINGYANG
UNIT:mm	01	DWG NO.DC00500-A001

菱揚精密有限公司
 Ling Yang Precision Co.,Ltd