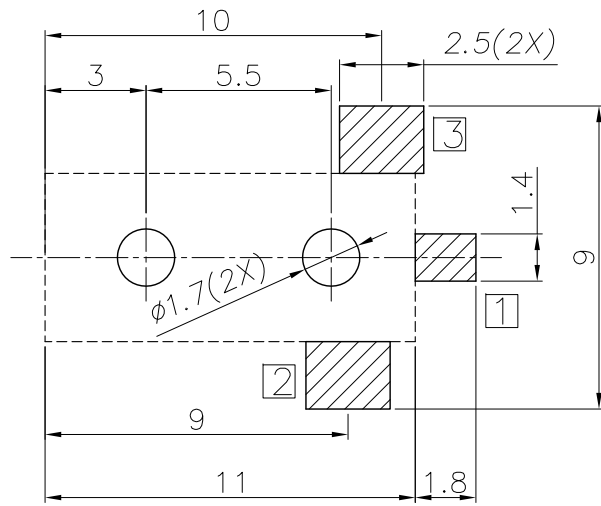
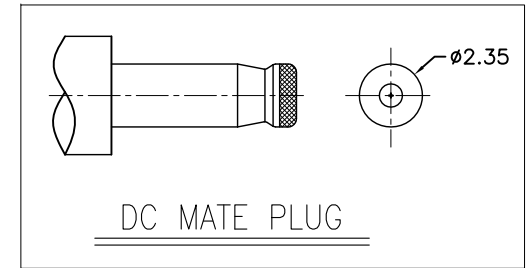
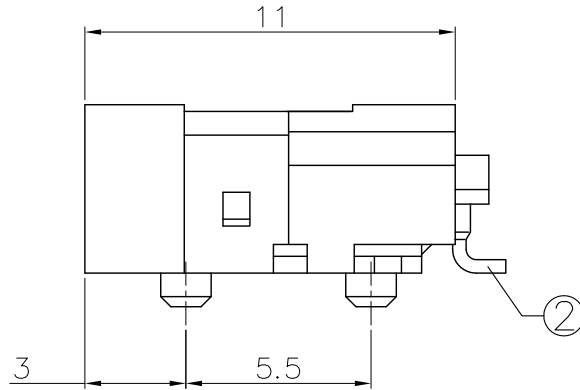
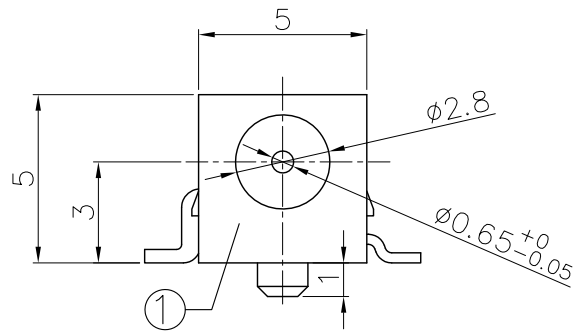
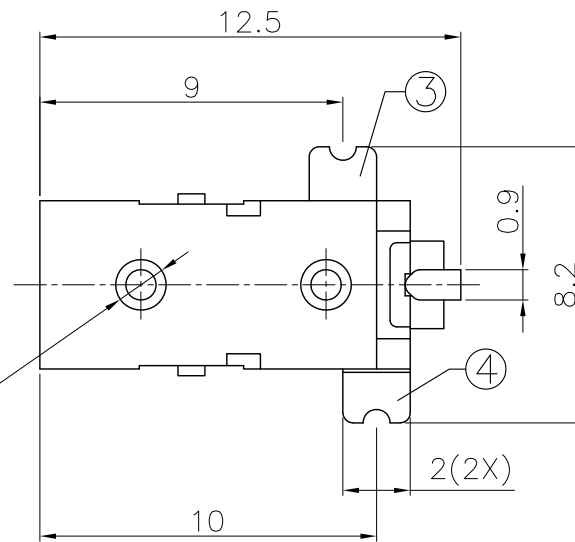


正式图 参考图 CUSTOMER DRAWING
The requirements of environmental protection
ROHS2 Halogen free

Mark	ECN NO.	DESCRIPTION	DESIGN	Date:
—	—	NEW VERSION	Zeng Yu	2014.01.06



RECOMMENDED P. C. B. LAYOUT
UNSPECIFIED TOLERANCE: ±0.05
(TOP VIEW)



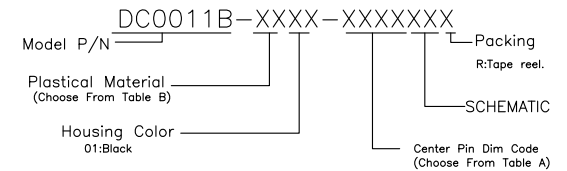
1	0065	∅0.65 ⁺⁰ _{-0.05}	SCHEMATIC	
			01	
NO.	Center Pin Dim Code	CENTER PIN DIA. ∅A	SCHEMATIC	
			00	

TABLE A: Model of Center Pin

2	L3	PA10T 30%G/F UL94V-0	RoHS2&H.F Fit
1	L0	PA9T 30%G/F UL94V-0	RoHS2 Fit
NO.	CODE	MATERIAL	REMARK

TABLE B : Plastical Material

P/N:



- NOTES:
- 1.Rating:DC30V 1A;
 - 2.Contact Resistance:≤30Milliohm;
 - 3.Insulation Resistance:≥100Megohm;
 - 4.Withstand Voltage:AC500V for one minute;
 - 5.Insertion and Extraction force:3~30N;
 - 6.Life test:5000 Cycles.
 - 7.Operating Temperature:-25°C~+70°C 85%RH Max;
 - 8.Storage Temperature:-40°C~+85°C 85%RH Max.

④	Shunt terminal	<input type="checkbox"/>	1	Brass 0.4	Ni:80u"Min+Ag:20u"Min	X
③	Tip Spring	<input checked="" type="checkbox"/>	1	Stainless steel 0.25t	Ni:80u"Min+Ag:20u"Min	X
②	CENTER PIN	<input type="checkbox"/>	1	Phosphor Bronze	Ni:80u"Min+Ag:20u"Min	X
①	HOUSING	<input type="checkbox"/>	1	CHOOSE FROM TABLE B	Black	X
NO.	DESCRIPTION	QTY	PARTS MATERIAL	PLATING OR COLOR	REMARK	

Tolerance	MODEL NAME:DC POWER JACK	DRAWING: Miao Xue Ting
X.X ±0.30	MODEL No:DC0011B-XX01-0065XXR	CHECKED: Zeng Yu
X.XX ±0.20	SCALE:1:1	APPROVED: Xiao Zhong Bo
X.XXX ±0.10	REVISION SHEET	DATE: 2014-01-06
Angle ±3.0°	A0	1/1
UNIT:mm	菱揚精密有限公司 Ling Yang Precision Co.,Ltd	FILE: XZB/LINGYANG
		DWG NO.DC0011B-A001