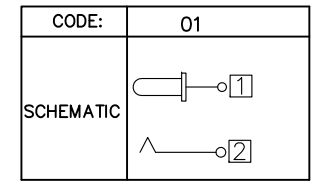
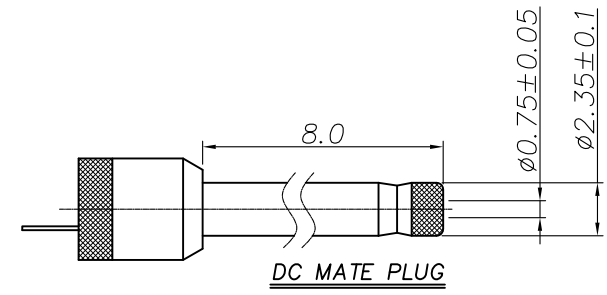
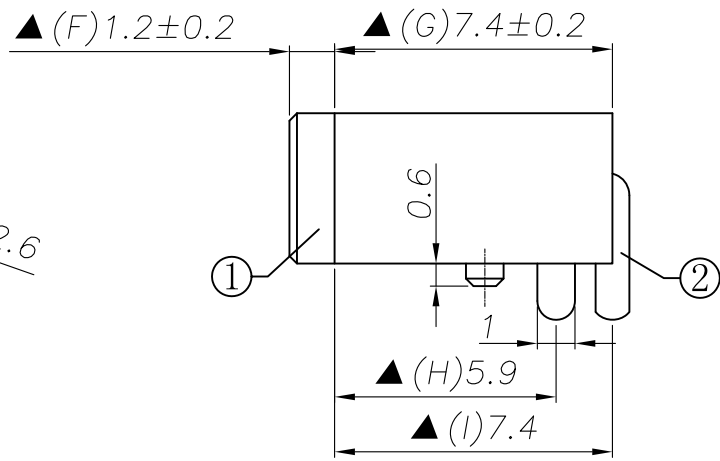
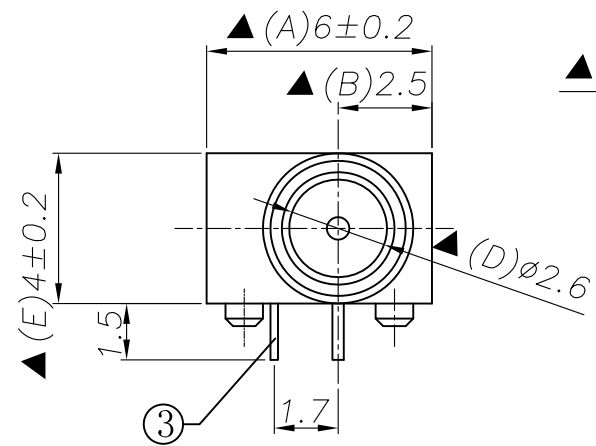


正式图 参考图
CUSTOMER DRAWING
 a requirements of environmental protection
 ROHS2 Halogen free

Mark	ECN NO.	DESCRIPTION	DESIGN	Date:
—	—	NEW VERSION	Zeng Yu	2014.01.22



1	0060	∅0.60±0.05	∅2.35
NO.	Center Pin Dim Code	CENTER PIN DIA. #A	PLUG DIM. O.D

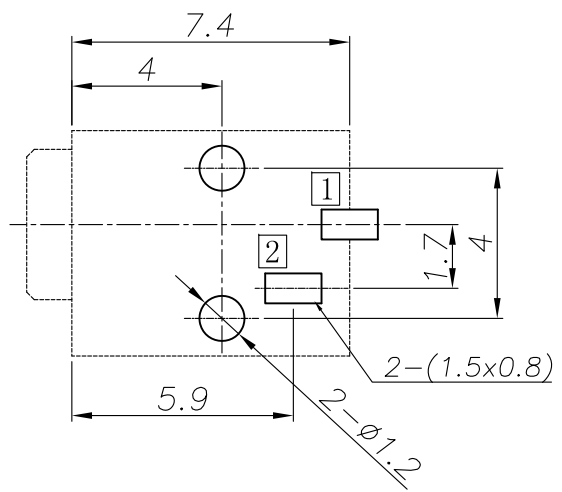
TABLE A: Model of Center Pin

3	K0	PA46	UL94V-0	RoHS2 Fit
2	B4	PBT	UL94V-0	RoHS2 Fit&H.F Fit
1	B0	PBT	UL94V-0	RoHS2 Fit
NO.	CODE	MATERIAL		REMARK

TABLE B : Plastical Material

P/N: DC00480-XXXX-XXXXXXX
 Model P/N _____ Packing
 Plastical Material _____ □B:Tray;
 (Choose From Table B) □P:PE bag;
 Housing Color _____ SCHEMATIC
 01:Black
 Center Pin Dim Code
 (Choose from TABLE A)

NOTES:
 1.Rating:DC12V 2A;
 2.Contact Resistance:≤30Milliohm;
 3.Insulation Resistance:≥100Megohm;
 4.Withstand Voltage:AC500V for one minute;
 5.Insertion and Extraction force:3~30N;
 6.Life test:5000 Cycles.
 7.Operating Temperature:-25°C~+70°C 85%RH Max;
 8.Storage Temperature:-40°C~+85°C 85%RH Max.



③	Tip spring	1	SUS 0.2t	Gold plating	X
②	Center pin	1	Phosphor bronze	Gold plating	X
①	Housing	1	CHOOSE FROM TABLE B	Black(standard)	X
NO.	DESCRIPTION	QTY	PARTS MATERIAL	PLATING OR COLOR	REMARK

Tolerance	MODEL NAME:DC POWER JACK	DRAWING: Miao Xue Ting
X.X ±0.30	MODEL No:DC00480-XX01-006001X	CHECKED: Zeng Yu
X.XX ±0.20	SCALE:1:1	APPROVED: Xiao Zhong Bo
X.XXX ±0.10	REVISION SHEET	DATE: 2014-01-22
Angle ±3.0°	A0	1/1
UNIT:mm	菱揚精密有限公司 Ling Yang Precision Co., Ltd	FILE: XZB/LINGYANG
		DWG NO.DC00480-A001