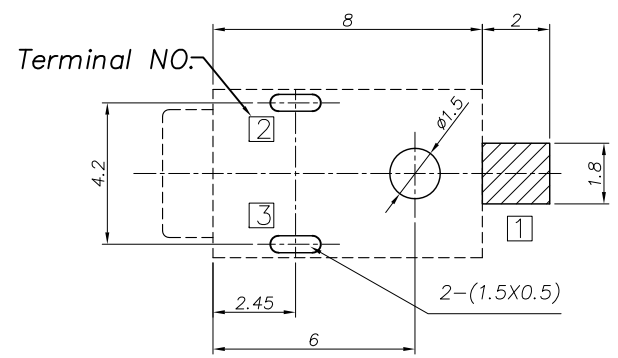
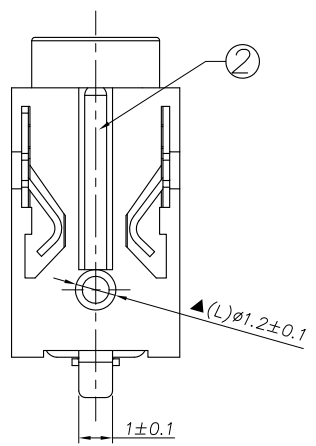


- NOTES:
- Rating:DC12V 2.5A;
  - Contact Resistance:≤30Milliohm;
  - Insulation Resistance:≥100Megohm;
  - Withstand Voltage:AC500V for one minute;
  - Insertion and Extraction force:3~30N;
  - Life test:5000 Cycles.
  - Operating Temperature:-25°C~+70°C 85%RH Max;
  - Storage Temperature:-40°C~+85°C 85%RH Max.



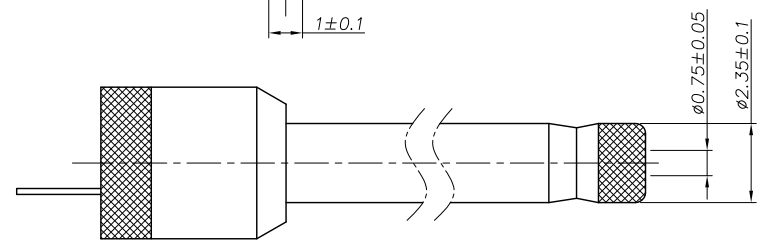
P.C.B Layout (Top view)

1	0065	∅0.65±0.05	SCHEMATIC	
NO.	Center Pin Dim Code	CENTER PIN DIA. ∅A		

TABLE A: Model of Center Pin

2	L3	PA10T 30%G/F UL94V-0	RoHS2&H.F Fit
1	L0	PA9T 30%G/F UL94V-0	RoHS2 Fit
NO.	CODE	MATERIAL	REMARK

TABLE B : Plastical Material



DC MATE PLUG

NO.	DESCRIPTION	QTY	PARTS MATERIAL	PLATING OR COLOR	REMARK
⑤	Tip spring2	1	Beryllium bronze t=0.2	PLATED Ag	X
④	Tip spring1	1	Beryllium bronze t=0.2	PLATED Ag	X
③	Center pin terminal	1	Brass 0.2t	PLATED Ag	X
②	CENTER PIN	1	Brass	PLATED Ag	X
①	HOUSING	1	CHOOSE FROM TABLE B	Black	X

Tolerance	MODEL NAME:DC POWER JACK	DRAWING: Miao Xue Ting
X.X ±0.30	MODEL No:DC00550-XX01-006500R	CHECKED: Zeng Yu
X.XX ±0.20	REVISION SHEET	APPROVED: Xiao Zhong Bo
X.XXX ±0.10	SCALE:1:1	DATE: 2014-01-06
Angle ±3.0°	A0	1/1
UNIT:mm	菱揚精密有限公司 Ling Yang Precision Co.,Ltd	FILE: XZB/LINGYANG
		DWG NO.DC00550-A001

P/N: DC00550-XXXX-XXXXXXX

Model P/N \_\_\_\_\_ Packing \_\_\_\_\_

Plastical Material \_\_\_\_\_ R:Tape reel.

(Choose From Table B) \_\_\_\_\_ P:PE Bag.

Housing Color \_\_\_\_\_ Remark

01:Black \_\_\_\_\_ 00:Normal

Center Pin Dim Code (Choose From Table A)