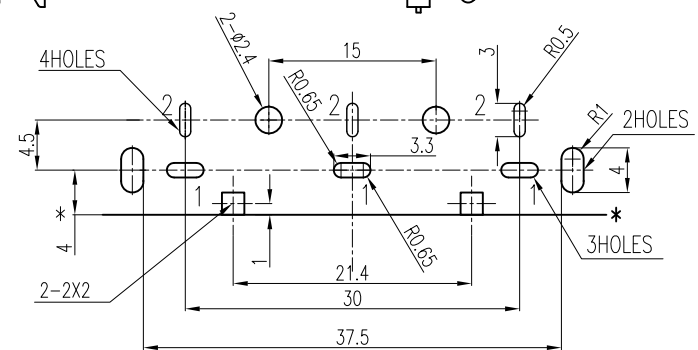
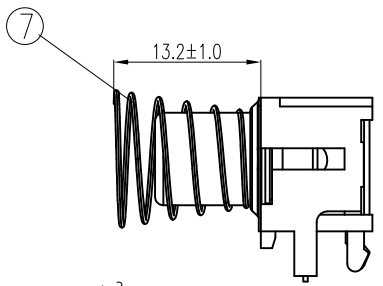
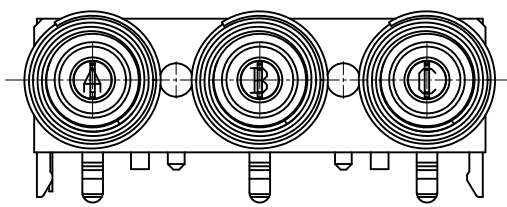
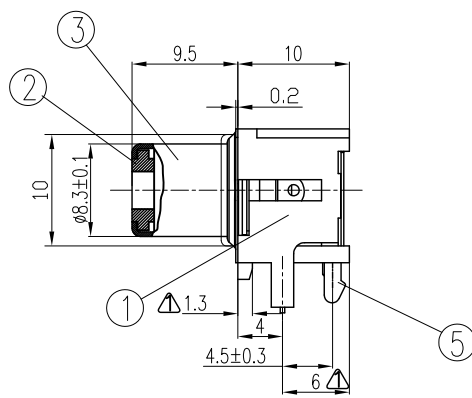
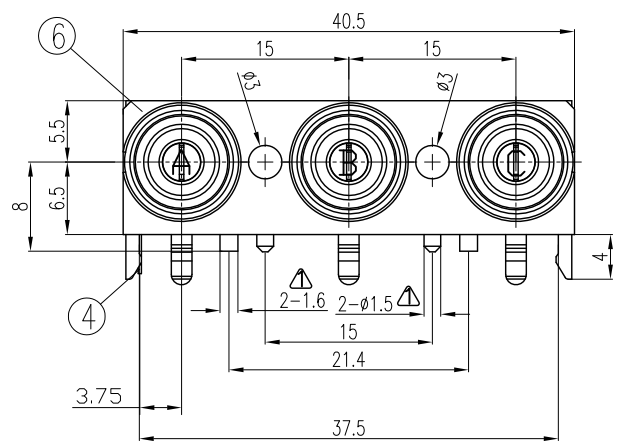


Mark	ECN NO.	DESCRIPTION	DESIGN	Date:
—	—	INITIAL RELEASE	Carlyle Xu	2014.08.21
⚠	ECN21040825001	ADD DIMENSIO	Carlyle Xu	2014.08.25
⚠	ECN21040926001	CORRECTIONS LAYOUT	Carlyle Xu	2014.09.26



⚠ T:1.6 Dimensions of PC board holes  
Tolerance : ±0.1(Printed-Side view)

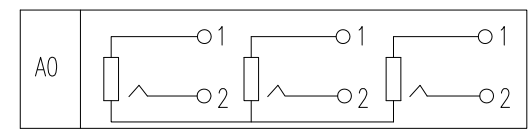


TABLE A : SCHEMATIC

NO.	CODE	MATERIAL	COLOR	REMARK
2	B4	PBT 30%G/F UL94V-0	BLACK	RoHS2&H.F Fit
1	B0	PBT 30%G/F UL94V-0	BLACK	RoHS2 Fit

TABLE B : PLASTICAL MATERIAL

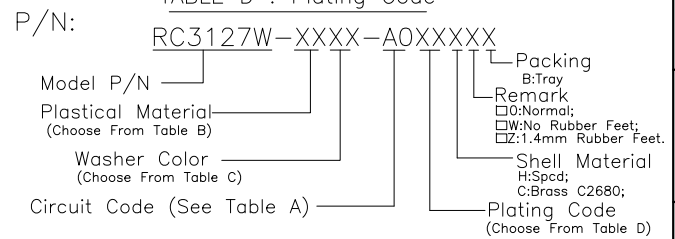
NO.	CODE	WASHER COLOR	REMARK				
01	BLK	BLK					
02	RED	RED					
03	WHT	WHT					
04	YEL	YEL					
05	GRN	GRN					
06	RED	WHT	ORN				
07	122C	WHT	7420C				
08	YEL	RED	WHT				
CHOOSE	A	B	C	CHOOSE	A	B	C

WHT:WHITE(白) BLU:BLUE(藍) 7420C:RED(紅)  
YEL:YELLOW(黃) GRY:GRAY(灰)  
GRN:GREEN(綠) RED:RED(紅)  
BLK:BLACK(黑) 122C:YELLOW(黃)

TABLE C : Color Code of Washer

NO.	PLATING CODE	TIP SPRING	TERMINAL	SHEEL	REMARK
5	AD	Cu:80u"+Ni:80u"+Tin:80u"(Min)	Cu:40u"+Tin:80u"Min	Cu:80u"+Ni:120u"(Min)	48Hours Salt
4	AE	Cu:80u"+Ni:120u"+Au:1u"(Min)	Cu:40u"+Tin:80u"Min	Cu:80u"+Ni:120u"(Min)	48Hours Salt
3	AG	Cu:40u"+Ni:80u"+Au:0.8u"(Min)	Cu:40u"+Tin:80u"Min	Cu:40u"+Ni:80u"(Min)	24Hours Salt
2	AB	Cu:80u"+Ni:120u"(Min)	Cu:40u"+Tin:80u"Min	Cu:80u"+Ni:120u"(Min)	48Hours Salt
1	A2	Cu:40u"+Ni:80u"(Min)	Cu:40u"+Tin:80u"Min	Cu:40u"+Ni:80u"(Min)	24Hours Salt

TABLE D : Plating Code



- NOTES:
- Rating:DC12V 1.0A;
  - Contact Resistance:Before the test≤30milliohm;  
After the test≤50milliohm;
  - Insulation Resistance at DC500v:Before the test≥100megohm;  
After the test≥50megohm;
  - Withstand Voltage:AC500V for 1minutes;
  - Insertion and Extraction force:3~30N;
  - Life test:500 Cycles.
  - Operating temperature range:-25℃~+70℃ 85%RH MAX;
  - Storage Temperature Range:-40℃~+70℃ 85%RH MAX.

NO.	DESCRIPTION	QTY	PARTS MATERIAL	PLATING OR COLOR	REMARK
7	SPRING	1	SWC, Ø0.4	----	----
6	SEALED PLATE	1	C2680,T=0.2	MB:Cu Cu/Sn PLATED	----
5	TERMINAL	2	C2680,T=0.4	MB:Cu Cu/Sn PLATED	----
4	TIP SPRING	1	C5191,T=0.3	MB:Cu Ag PLATED	----
3	OUTER CONTACT	3	C2680,T=0.4	MB:Cu Cu/Sn PLATED	----
2	WASHER	3	PBT	Choose from P/N UL-94HB	----
1	HOUSING	1	PBT	Choose from P/N UL-94V-0	----

Tolerance	MODEL NAME:RCA PIN JACK	DRAWING: Carlyle Xu
X.X ±0.30	MODEL No:RC3127W-B007-A0A2C0B	CHECKED: David Zhou
X.XX ±0.20	SCALE:1:1	APPROVED: Jacky Lee
X.XXX ±0.10	REVISION A1	DATE: 2014.08.25
Angle ±3.0°	SHEET 1/1	FILE: F/LINGYANG
UNIT:mm	菱揚精密有限公司 Ling Yang Precision Co.,Ltd	DWG NO. RC3127W-A002