

正式图	参考图	CUSTOMER DRAWING
		The requirements of environmental protection
		ROHS2 Halogen free

Mark	ECN NO.	DESCRIPTION	DESIGN	Date:
—	—	INITIAL RELEASE	Carlyle Xu	2015.02.02

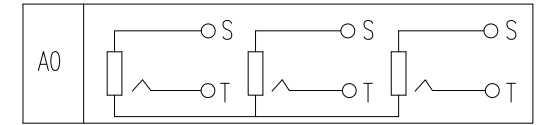
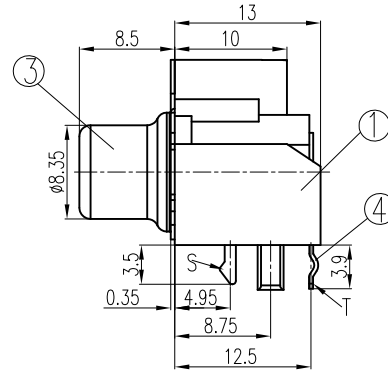
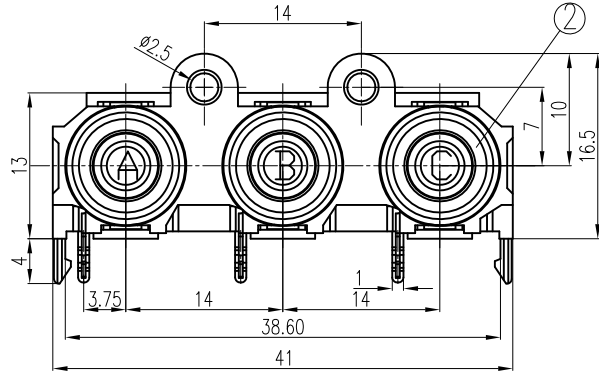


TABLE A : SCHEMATIC

NO.	CODE	MATERIAL	COLOR	REMARK
2	B4	PBT 30%G/F UL94V-0	BLACK	RoHS2&H.F Fit
1	B0	PBT 30%G/F UL94V-0	BLACK	RoHS2 Fit

TABLE B : PLASTICAL MATERIAL

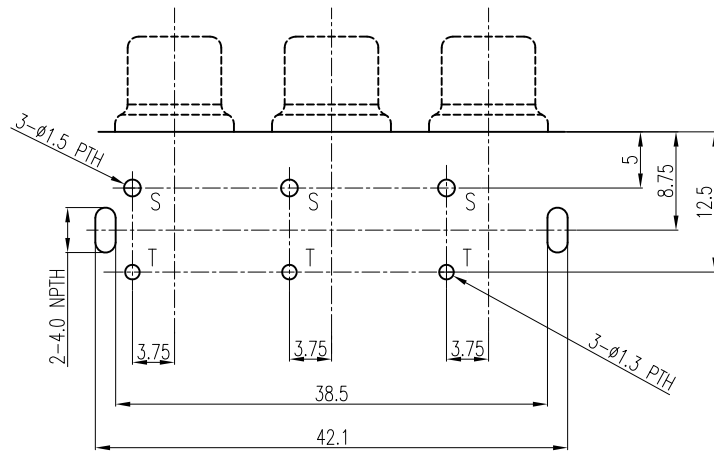
01	BLK	BLK	BLK						
02	RED	RED	RED						
03	WHT	WHT	WHT						
04	YEL	YEL	YEL						
05	GRN	GRN	GRN						
06	RED	WHT	ORN						
07	122C	WHT	193C						
08	YEL	RED	WHT		09	193C	2145C	7725C	
CHOOSE	A	B	C		CHOOSE	A	B	C	

WHT:WHITE(白) BLU:BLUE(蓝) 193C:RED(红)
 YEL:YELLOW(黄) GRN:GRN(绿) 2145C:BLUE(蓝)
 GRN:GREEN(绿) RED:RED(红) 7725C:GREEN(绿)
 BLK:BLACK(黑) 122C:YELLOW(黄)

TABLE C : Color Code of Washer

NO.	PLATING CODE	TERMINAL	SHEEL	REMARK
2	AB	Cu:80u"+Tin:4u"Min	Cu:80u"+Tin:4u"(Min)	48Hours Salt
1	A2	Cu:40u"+Tin:4u"Min	Cu:40u"+Tin:4u"(Min)	24Hours Salt

TABLE D : Plating Code



T:1.6 Dimensions of PC board holes
Tolerance : ±0.1(Printed-Side view)

- NOTES:
- Rating:DC12V 1.0A;
 - Contact Resistance:Before the test≤30milliohm;
After the test≤50milliohm;
 - Insulation Resistance at DC500v:Before the test≥100megohm;
After the test≥50megohm;
 - Withstand Voltage:AC500V for 1minutes;
 - Insertion and Extraction force:3~30N;
 - Life test:500 Cycles.
 - Operating temperature range:-25℃~+70℃ 85%RH MAX;
 - Storage Temperature Range:-40℃~+70℃ 85%RH MAX.

P/N: **RC3132W-XXXX-A0XXXXX**

Model P/N

Plastical Material (Choose From Table B)

Washer Color (Choose From Table C)

Circuit Code (See Table A)

Packing B:Tray

Remark
□:Normal;

Shell Material
H:Spdc;
C:Brass C2680;

Plating Code (Choose From Table D)

NO.	DESCRIPTION	QTY	PARTS MATERIAL	PLATING OR COLOR	REMARK
4	TERMINAL	3	BRASS	Cu/Sn PLATED	
3	OUTER CONTACT	1	BRASS	Cu/Sn PLATED	
2	WASHER	3	PBT	Choose from P/N UL-94V-0	
1	HOUSING	1	PBT	Choose from P/N UL-94V-0	

Tolerance X.X ±0.30 X.XX ±0.20 X.XXX ±0.10 Angle ±3.0°	MODEL NAME:RCA PIN JACK MODEL No:RC3132W-BOXX-A0A2C0B	DRAWING: Carlyle Xu CHECKED: David Zhou APPROVED: Jacky Lee DATE: 2015.02.02
UNIT:mm	SCALE:1:1 REVISION A0 SHEET 1/1	FILE: F/LINGYANG DWG NO. RC3132W-A002

菱揚精密有限公司
 Ling Yang Precision Co.,Ltd