

正式图 参考图 CUSTOMER DRAWING
The requirements of environmental protection
ROHS2 Halogen free

Mark	ECN NO.	DESCRIPTION	DESIGN	Date:
—	—	INITIAL RELEASE	Carlyle Xu	2014.10.30

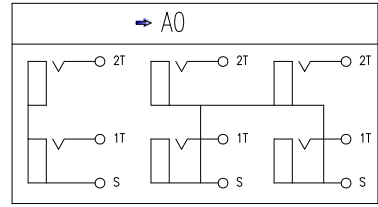
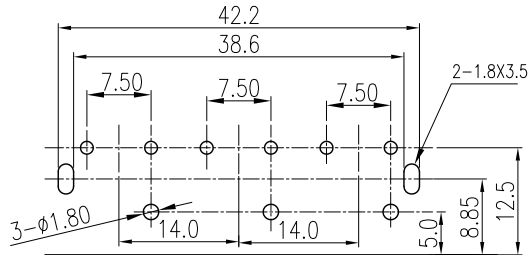
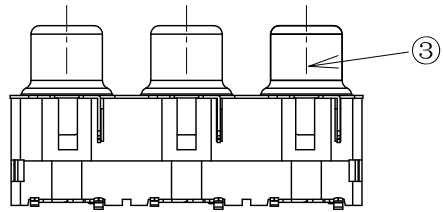
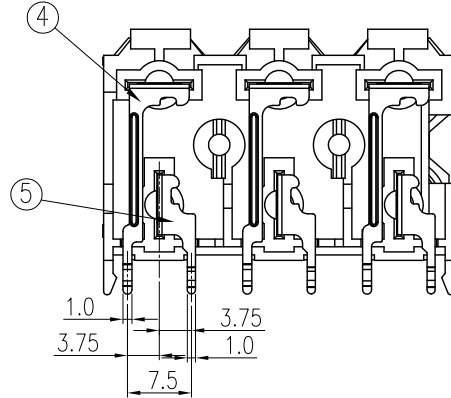
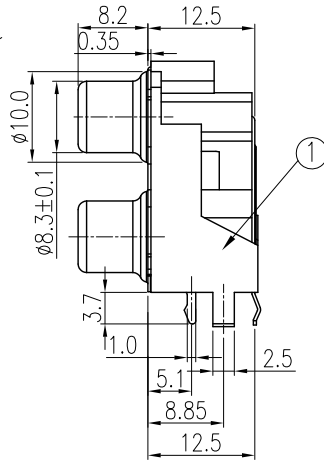
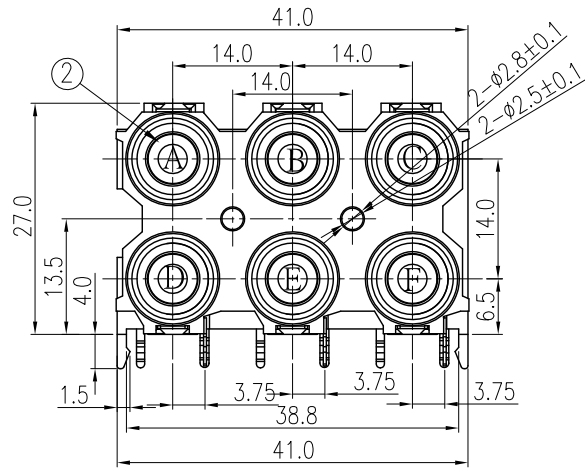


TABLE A : Circuit Schematic

NO.	CODE	MATERIAL	COLOR	REMARK
3	A0	ABS(Housing)+PBT(Washer)	BLACK	RoHS2 Fit
2	B4	PBT 30%G/F UL94V-0	BLACK	RoHS2&H.F Fit
1	B0	PBT 30%G/F UL94V-0	BLACK	RoHS2 Fit

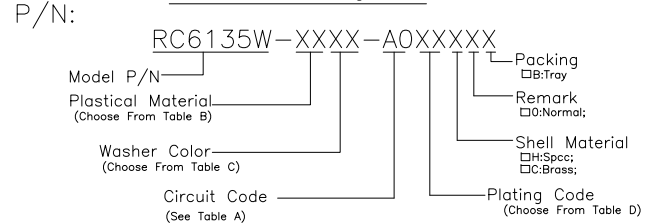
TABLE B : Plastical Material

3X	GRN	BLU	RED	YEL	RED	WHT										
3N	GRN	BLU	RED	GRN	BLU	RED										
3E	YEL	WHT	RED	YEL	WHT	RED										
3A	GRN	BLU	RED	ORN	WHT	RED										
2V	WHT	WHT	WHT	RED	RED	RED										
2E	RED	BLU	BLK	WHT	GRN	RED										
2D	GRN	BLU	RED	YEL	WHT	RED										
2B	YEL	WHT	RED	GRN	BLU	RED										
0B	GRN	BLU	RED	GRN	BLU	RED										
04	YEL	YEL	YEL	YEL	YEL	YEL										
	A	B	C	D	E	F										

TABLE C : Color Code of Washer

NO.	PLATING CODE	SHELL	TERMINAL	REMARK
3	AG	Cu:40u"+TiN:80u"+Au:0.8u"(Min)	Cu:40u"+TiN:80u"Min	48Hours Salt
2	AB	Cu:40u"+TiN:80u"(Min)	Cu:40u"+TiN:80u"Min	48Hours Salt
1	A2	Cu:6u"+TiN:6u"(Min)	Cu:6u"+TiN:6u"(Min)	24Hours Salt

TABLE D : Plating Code



- NOTES:
- Rating:DC12V 1.0A;
 - Contact Resistance:Before the test≤30milliohm; After the test≤50milliohm;
 - Insulation Resistance at DC500v:Before the test≥100megohm; After the test≥50megohm;
 - Withstand Voltage:AC500V for 1minutes;
 - Insertion and Extraction force:3~30N;
 - Life test:500 Cycles.
 - Operating temperature range:-25℃~+70℃ 85%RH MAX;
 - Storage Temperature Range:-40℃~+70℃ 85%RH MAX.

T:1.6 Dimensions of PC board holes
Tolerance : ±0.1(Printed-side view)

NO.	DESCRIPTION	QTY	PARTS MATERIAL	PLATING OR COLOR	REMARK
5	TERMINAL	3	BRASS,T=0.35mm	Cu:6u"+Tin:6u" (Min)	-
4	TERMINAL	3	BRASS,T=0.35mm	Cu:6u"+Tin:6u" (Min)	-
3	OUTER CONTACT	1	BRASS,T=0.35mm	Cu:6u"+Tin:6u" (Min)	-
2	WASHER	6	PBT	UL-94V-0	-
1	HOUSING	1	Choose from Table C Material Code	UL-94V-0	-

Tolerance	MODEL NAME:RCA PIN JACK	DRAWING: Carlyle xu
X.X ±0.30	MODEL No:RC6135W-XXXX-A0A2C0B	CHECKED: David zhou
X.XX ±0.20	SCALE:1:1	APPROVED:Jacky Lee
X.XXX ±0.10	REVISION A0	DATE: 2014.10.30
Angle ±3.0°	SHEET 1/1	FILE: F/LINGYANG
UNIT:mm	菱揚精密有限公司 Ling Yang Precision Co.,Ltd	DWG NO. RC6135W-A001