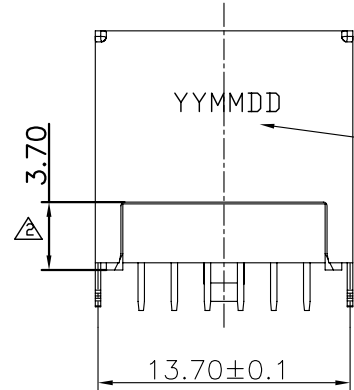
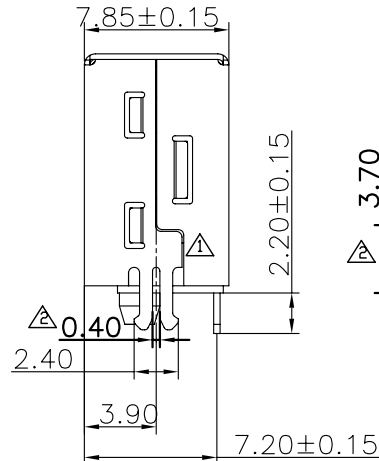
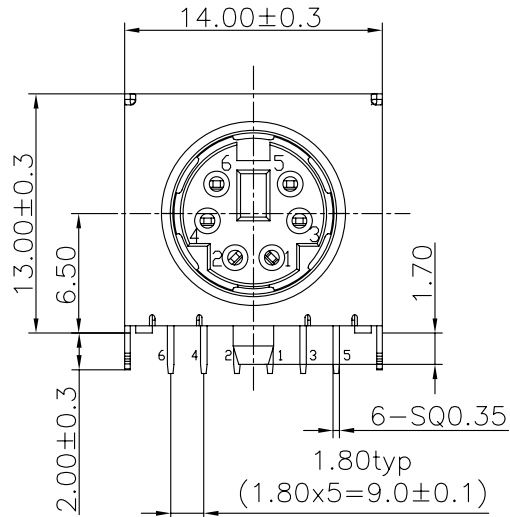
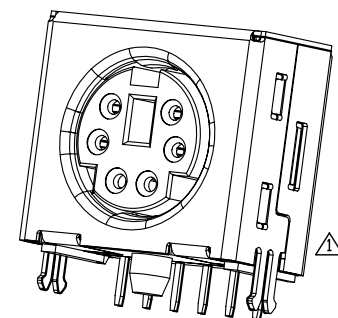


正式图 参考图 CUSTOMER DRAWING
The requirements of environmental protection
ROHS2 Halogen free

Mark	ECN NO.	DESCRIPTION	DESIGN	Date:
△	—	Change the harpoon structure	Zeng Yu	2013-12-23
△	—	Modify the part structure	Zeng Yu	2014-01-18

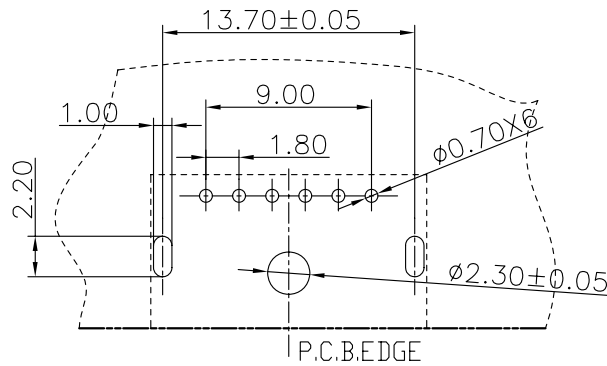
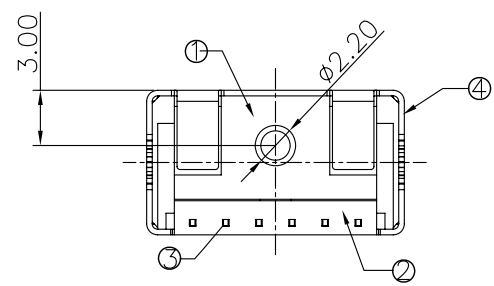


DATE CODE:
YYMMDD
YEAR MONTH DATE



4	CO	LCP UL94V-0	See P/N	RoHS2 Fit
3	LO	PA9T 30%G/F UL94V-0	See P/N	RoHS2 Fit
2	B4	PBT 30%G/F UL94V-0	See P/N	RoHS2&H.F Fit
1	B0	PBT 30%G/F UL94V-0	See P/N	RoHS2 Fit
NO.	CODE	MATERIAL	COLOR	REMARK

TABLE A : Plactical Material



Recommend P.C.B Layout(Top View)
P.C.B THICKNESS 1.0~1.2t.
P.C.B Tolerance:±0.05mm

P/N: DNXXXXX-XXXX-XXXXXXXX

Model P/N

Plactical Material (Choose From Table A)

Housing Color
01:BLACK;
19:PURPLE2715C;
82:PURPLE235C;
69:GREEN3395C;

Pin holder data

Product salt mist
A:Normal;

Packing
B:Tray; R:Tape reel;
T:Tube;
Remark
O:Normal;

Shell Material
s:sus

Plating Code
0:Bright Tin;
W:Matte Tin;
1:GOLD FALSH,SOLDER AREA:GOLD FALSH
2:CONTACT AREA:3U"GOLD,SOLDER AREA:GOLD FALSH
3:CONTACT AREA:15U"GOLD,SOLDER AREA:GOLD FALSH
4:CONTACT AREA:30U"GOLD,SOLDER AREA:GOLD FALSH
A:CONTACT AREA:GOLD FALSH,SOLDER AREA:MATTE TIN80U"
B:CONTACT AREA:3U"GOLD,SOLDER AREA:MATTE TIN80U"
C:CONTACT AREA:5U"GOLD,SOLDER AREA:MATTE TIN80U"
D:CONTACT AREA:10U"GOLD,SOLDER AREA:MATTE TIN80U"
E:CONTACT AREA:15U"GOLD,SOLDER AREA:MATTE TIN80U"
F:CONTACT AREA:20U"GOLD,SOLDER AREA:MATTE TIN80U"
G:CONTACT AREA:30U"GOLD,SOLDER AREA:MATTE TIN80U"

- NOTES:
- Rating:DC12V 1.0A;
 - Contact Resistance:Before Test≤30Milliohm;After Test≤50Milliohm;
 - Insulation Resistance:≥50Megohm;
 - Withstand Voltage:AC250V for one minutes;
 - Insertion force:45N Max,and Extraction Force6~30N;
 - Life test:500 Cycles;
 - OPERATING TEPEPERATURE: -25°C--+70°C 85%RH MAX;
 - STORAGE TEMPERATURE: -40°C--+70°C 85%RH MAX.

THIS PRINT IS
PRELIMINARY
UNQUALIFIED PRODUCT
DESIGN IS SUBJECT TO
CHANGE WITHOUT NOTICE

④	Shell	1	SUS430/C2680R-H t=0.3mm	Cu40u"+Nickel80u"Min.	-
③	Contact terminal	6	C2680R-H	Choose from P/N plating code item	-
②	Cover	1	Choose from table A	Black	-
①	Housing	1	Choose from table A	Choose from P/N color item	-
NO.	DESCRIPTION	QTY	PARTS MATERIAL	PLATING OR COLOR	REMARK

Tolerance X.X ±0.30 X.XX ±0.20 X.XXX ±0.10 Angle ±3.0°	MODEL NAME:MINI DIN JACK MODEL No:DN1001W-L069-06AAS0R	DRAWING: Miao Xue Ting CHECKED: Zeng Yu
UNIT:mm	REVISION SHEET SCALE:1:1 A0 1/1	APPROVED: <i>GATM</i> DATE: 2013-11-13
菱揚精密有限公司 Ling Yang Precision Co.,Ltd		FILE: XZB/LINGYANG DWG NO. DN1001W-A002