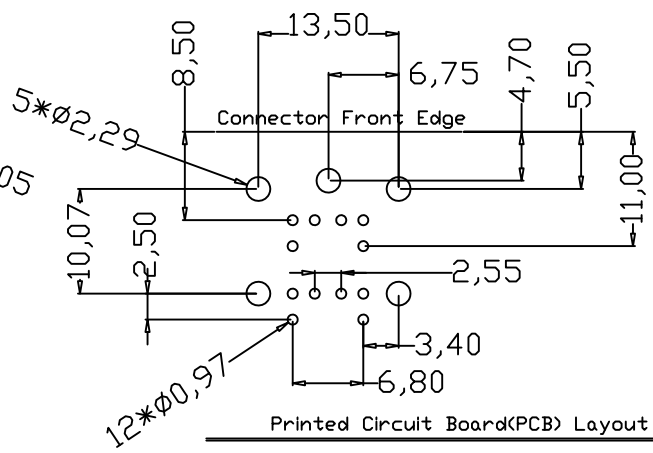
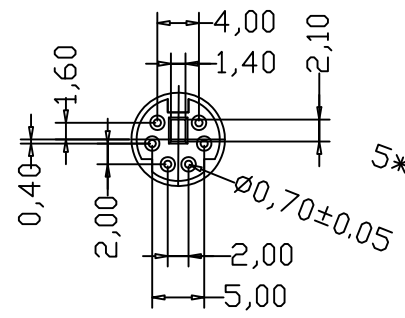
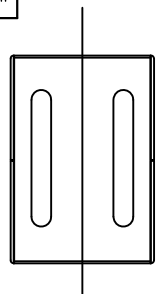


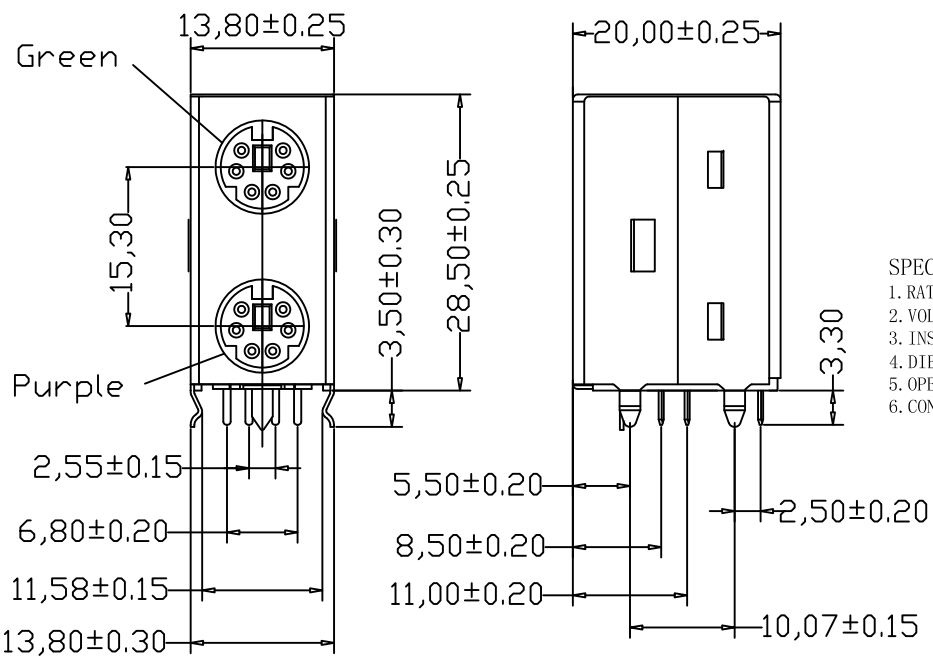
正式图 参考图 CUSTOMER DRAWING  
ROHS2 Halogen free

Mark	ECN NO.	DESCRIPTION	DESIGN	Date:



ARRANGEMENT OF CONTACTS		
MODEL NO	DN8005W-XXXX-B0XX	DN8005W-XXXX-08X-00B

TABLE A : HOLE DATA



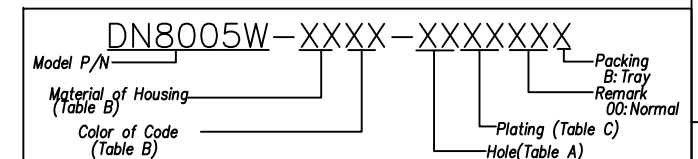
- SPECIFICATION:
1. RATED CURRENT: 3AMP
  2. VOLTAGE RATING: 250V (AC/DC)
  3. INSULATION RESISTANCE: 1000M OHM MIN
  4. DIELECTRIC WITHSTANDING VOLT: AC 1000V/1 MINUTE
  5. OPERATION TEMPERATURE: -40° C TO +105° C
  6. CONTACT RESISTANCE: 20 MOHMS MAX

NO.	PRODUCT NO.	MATERIAL	COLOR	REMARK
4	DN8005W-B427-XXXX00B	PBT 5615-200C?UL94V-	GREEN/PIRPLE	(RoHS Fit&H.F)
3	DN8005W-B401-XXXX00B	PBT 5615-200C?UL94V-	BLACK	(RoHS Fit&H.F)
2	DN8005W-B027-XXXX00B	PBT 4815?UL94V-0	GREEN/PIRPLE	(RoHS Fit)
1	DN8005W-B001-XXXX00B	PBT 4815?UL94V-0	BLACK	(RoHS Fit)

TABLE B : Material of Housing

NO.	PRODUCT NO.	SHIELD	TERMINAL	REMARK
3	DN8005W-XXXX-XXU600B	Cu: 80u" + Ni: 80u" + Tin: 120u" * MIN	NE: 40u" Under Over All; Au: 100u" On Contact Area + Tin: 120u" On Solder Pits	Salt Mist 24H
2	DN8005W-XXXX-XXU400B	Cu: 80u" + Ni: 80u" + Tin: 120u" * MIN	NE: 40u" Under Over All; Au: 100u" On Contact Area + Tin: 120u" On Solder Pits	Salt Mist 24H
1	DN8005W-XXXX-XXA00B	Cu: 80u" + Ni: 80u" + Tin: 120u" * MIN	Tin: 120u" Over All	Salt Mist 24H

TABLE C : Plating of BRASS & Terminal



NO.	DESCRIPTION	QTY	MATERIAL	PLATING/COLOR
6	SHIELD	1	SPCC	SEE TABLE C
5	COVER	1	PBT4815 94V-0	BLACK (RoHS Fit&H.F)
4	TERMINAL-41/42/43/44/45/46	6	Brass C2680R	SEE TABLE C
3	TERMINAL-1/2/3/4/5/6	6	Brass C2680R	SEE TABLE C
2	TOP HOUSING	1	SEE TABLE B	BLACK/GREEN 3395C
1	BOTTOM HOUSING	1	SEE TABLE B	BLACK/PURPLE 2715C

TABLE E : Parts of Product

Tolerance X.X ±0.30 X.XX ±0.20 X.XXX ±0.10 Angle ±3.0°	Model Name: MIN DIN JACK Model No: DN8005W-B427-B0U600B	Drawing: MIAO XUE TING Checked: ZENG YU Approved: HUANG WEN QIU Date: 2013-06-07
UNIT:mm	SCALE: FULL REVISION: A0 SHEET: 1/1	FILE: XZB/LINGYANG DWG NO. DN8005W-A002

菱揚精密有限公司  
Ling Yang Precision Co., Ltd