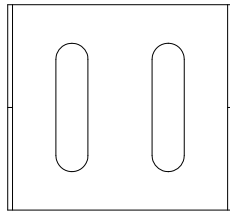


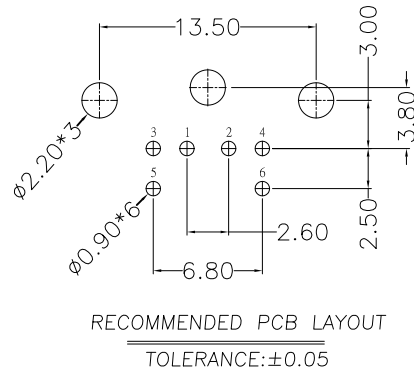
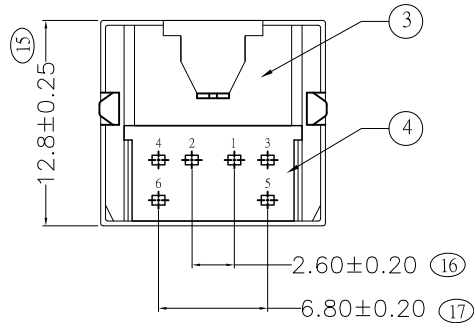
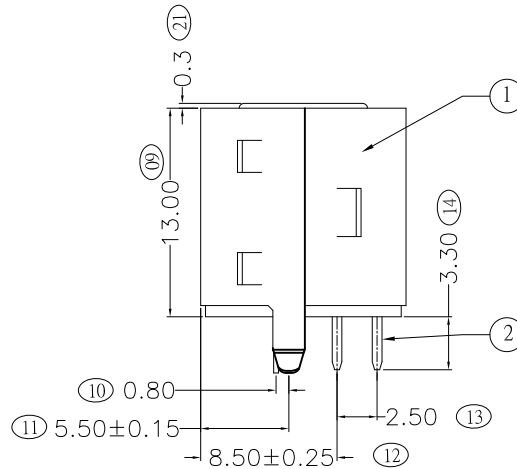
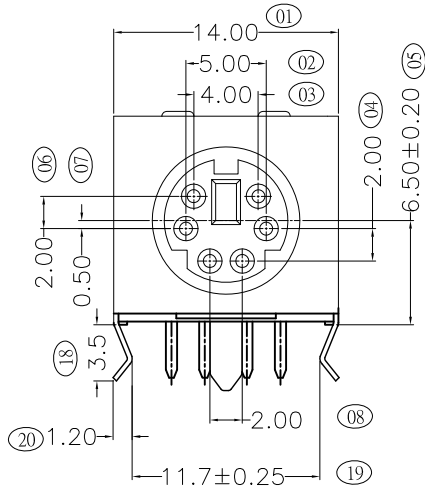
正式图 参考图 CUSTOMER DRAWING  
ROHS2 Halogen free



**SPECIFICATION**

1. RATING : DC 12V 1.0A;
2. CONTACT RESISTANCE:  $\leq 30m\Omega$ ;
3. INSULATION RESISTANCE:  $\geq 50M\Omega$ ;
4. WITHSTANDING VOLTAGE: 250VAC ;
5. INSERTION\EXTRACTION FORCE: 6-30N;
6. LIFE TEST: 500 CYCLES.

Mark	ECN NO.	DESCRIPTION	DESIGN	Date:
A0		NEW RELEASE	WAVE	2013.07.22
	EN20150108001	Increase the description	David Zhou	2015.01.06



NO.	PRODUCT NO.	MATERIAL	COLOR	REMARK
6	DN4302W-D020-06XX00B-1	PA66 UL94V-0	PURPLE	(RoHS Fit)
5	DN4302W-D029-06XX00B-1	PA66 UL94V-0	GREEN	(RoHS Fit)
4	DN4302W-D001-06XX00B-1	PA66 UL94V-0	BLACK	(RoHS Fit)
3	DN4302W-B019-06XX00B-1	PBT 4815 UL94V-0	PURPLE2715C	(RoHS Fit)
2	DN4302W-B016-06XX00B-1	PBT 4815 UL94V-0	GREEN3395C	(RoHS Fit)
1	DN4302W-B001-06XX00B-1	PBT 4815 UL94V-0	BLACK	(RoHS Fit)

TABLE A : Material of Housing

NO.	PRODUCT NO.	SHIELD	TERMINAL	REMARK
6	DN4302W-XXXX-06A500B-1	SN 80%Ni OVER NI 50%Ni SALINE 24H	CONTACT AREA: Au 30u" plated; SOLDER AREA: Sn 100u" UNDER-PLATING: Ni 50u"	(24H)
5	DN4302W-XXXX-06A900B-1	Cu:160u"Ni:160u" (MIN)	CONTACT AREA: Au 30u" plated; SOLDER AREA: Sn 100u" UNDER-PLATING: Ni 40u"	(48H)
4	DN4302W-XXXX-06AK00B-1	Cu:160u"Ni:160u" (MIN)	CONTACT AREA: Au 0.8u" plated; SOLDER AREA: Sn 100u" UNDER-PLATING: Ni 40u"	(48H)
3	DN4302W-XXXX-06AB00B-1	Cu:160u"Ni:160u" (MIN)	CONTACT AREA: Au 0.8u" plated; SOLDER AREA: Sn 100u" UNDER-PLATING: Ni 40u"	(48H)
2	DN4302W-XXXX-06A100B-1	Cu:80u"Ni:100u" (MIN)	CONTACT AREA: Au 0.8u" plated; SOLDER AREA: Sn 100u" UNDER-PLATING: Ni 40u"	
1	DN4302W-XXXX-06A200B-1	Cu:80u"Ni:100u" (MIN)	SOLDER AREA: Sn 100u" UNDER-PLATING: Ni 40u"	

TABLE B : Plating of BRASS & Terminal

DN4302W-XXXX-06XX00B-1

Model P/N \_\_\_\_\_  
Material See Table A \_\_\_\_\_  
Color \_\_\_\_\_  
01: BLACK  
29: GREEN  
30: PURPLE  
Packing B:Tray \_\_\_\_\_  
Plating See table B \_\_\_\_\_  
PIN \_\_\_\_\_

NO.	DESCRIPTION	QTY	MATERIAL	PLATING/COLOR
4	COVER	1	SEE TABLE A	SEE TABLE A
3	HOUSING	1	SEE TABLE A	SEE TABLE A
2	CONTACT	6	C5191 t=0.2±0.03mm	SEE TABLE B
1	SHELL	1	SPCC t=0.3±0.03mm	SEE TABLE B

TABLE C : Parts of Product

Tolerance X.X ±0.30 X.XX ±0.20 X.XXX ±0.10 Angle ±3°	Model Name: MINI DIN CONNECTOR		Drawing: MING XIN	
	Model No: DN4302W-XXXX-06XX00B-1		Checked: ZENG YU	
UNIT:mm		SCALE: 1:1	REVISION: A1	SHEET 1/1
		Date: 2013.07.22		
		菱揚精密有限公司		FILE: XZB/LINGYANG
		Ling Yang Precision Co.,Ltd		DWG NO. DN4302W-A001