

LOGO: LOTES
DATE CODE:



- NOTES:
- Rating:DC12V 1.0A;
 - Contact Resistance:Before Test≤30Milliohm;After Test≤50Milliohm;
 - Insulation Resistance:≥50Megohm;
 - Withstand Voltage:AC250V for one minutes;
 - Insertion force:45N Max,and Extraction Force6~30N;
 - Life test:500 Cycles;
 - OPERATING TEMPERATURE: -25°C---+70°C 85%RH MAX;
 - STORAGE TEMPERATURE: -40°C---+70°C 85%RH MAX.

5	D0	PA66 30%/F UL94V-0	SEE P/N	RoHS2 Fit
4	L7	PA6T 30%/F UL94V-0	SEE P/N	RoHS2&H.F Fit
3	L0	PA9T 30%/F UL94V-0	SEE P/N	RoHS2 Fit
2	B4	PBT 30%/F UL94V-0	SEE P/N	RoHS2&H.F Fit
1	B0	PBT 30%/F UL94V-0	SEE P/N	RoHS2 Fit
NO.	CODE	MATERIAL	COLOR	REMARK

TABLE A : Plastical Material

06	RED	BLK	15	R711U	WHT	23	WHT	BLK
07	GRN	BLU	16	GRN	RED	24	PUR	GRN
09	WHT	RED	17	GRN	WHT	25	GRN	PUR (3395C)
10	RED	WHT	18	164C	BLK			(2715C)
11	YEL	WHT	19	YEL	R711U			
12	WHT	YEL	20	YEL	RED			
13	WHT	R711U	21	RED	YEL			
14	Y128C	BLK	22	BLK	RED			
CHOOSE	A	B	CHOOSE	A	B	CHOOSE	A	B

WHT:WHITE(白) BLU:BLUE(蓝) BRN:BROWN(棕) PUR:PURPLE(紫)
 YEL:YELLOW(黄) ORN:ORANGE(橘) BRN:BROWN(深棕)
 GRN:GREEN(绿) GRY:GRAY(灰) R711U(红)
 BLK:BLACK(黑) RED:RED(红)

TABLE B : Color Code of Door

P/N:

DNXXXXX-XXXX-XXXXXXX

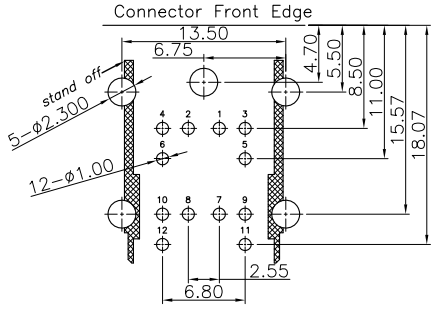
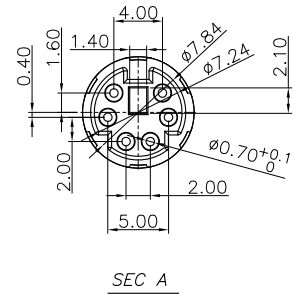
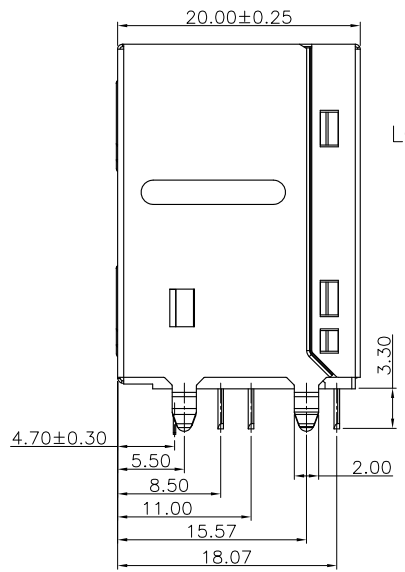
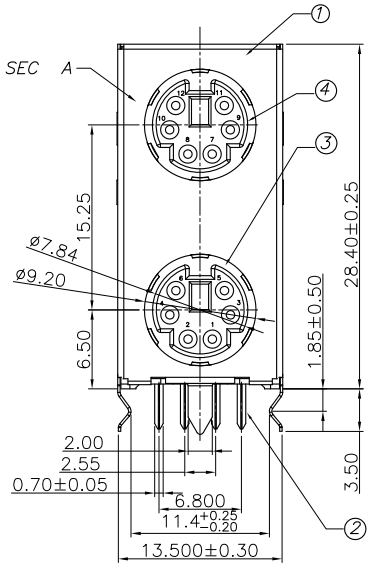
Model P/N: _____ Packing: □B:Tray; □R:Tape reel; □T:Tube.

Plastical Material: _____ Remark: □:Normal;

Housing Color: _____ Shell Material: □H:Spcc-sd; □S:SUS;

Pin holder data: _____ Plating Code: □0:Bright Tin; □1:CONTACT AREA:GOLD FALSH,SOLDER AREA:GOLD FALSH; □2:CONTACT AREA:3u" GOLD,SOLDER AREA:GOLD FALSH; □3:CONTACT AREA:15u" GOLD,SOLDER AREA:GOLD FALSH; □4:CONTACT AREA:30u" GOLD,SOLDER AREA:GOLD FALSH; □A:CONTACT AREA:GOLD FALSH,SOLDER AREA:MATTE TIN80u"; □B:CONTACT AREA:3u" GOLD,SOLDER AREA:MATTE TIN80u"; □C:CONTACT AREA:5u" GOLD,SOLDER AREA:MATTE TIN80u"; □E:CONTACT AREA:15u" GOLD,SOLDER AREA:MATTE TIN80u"; □P:PALLADIUM NICKEL 25u" + Au 1u"MIN.

Product salt mist: □A:Normal(8Hours); □B:24Hours; □C:48Hours;



Printed Circuit Board (PCB) Layout

5	COVER	1	Choose from tableA	Black	Black
4	MID-UPWARD	1	Choose from tableA	Choose from P/N:	X
3	MID-DWN	1	Choose from tableA	Choose from P/N:	X
2	CONTACTS	6*2	COPPE RALLOY t=0.2mm	Ni40u"+Au"X"u" On contact area+Tin:120u"	Choose from P/N
1	SHELL	1	Choose from P/N	Ni30u"+Bright Tin60u".	t=0.20mm
NO.	DESCRIPTION	QTY	PARTS MATERIAL	PLATING OR COLOR	REMARK

Tolerance	MODEL NAME: MINI DIN JACK(6 PIN DOUBLE-DECK)	DRAWING: Carlyle Xu
X.X ±0.30	MODEL No:DN2106W-XXXX-XXXXXXB	CHECKED: David Zhou
X.XX ±0.20	REVISION A0	APPROVED: Jacky Lee
X.XXX ±0.10	SCALE:1:1	DATE: 2014-07-25
Angle ±3.0°	SHEET 1/1	FILE: F/LINGYANG
UNIT:mm	菱揚精密有限公司 Ling Yang Precision Co.,Ltd	DWG NO. DN2106W-A001