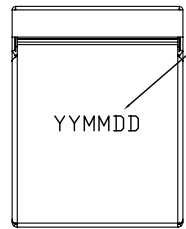


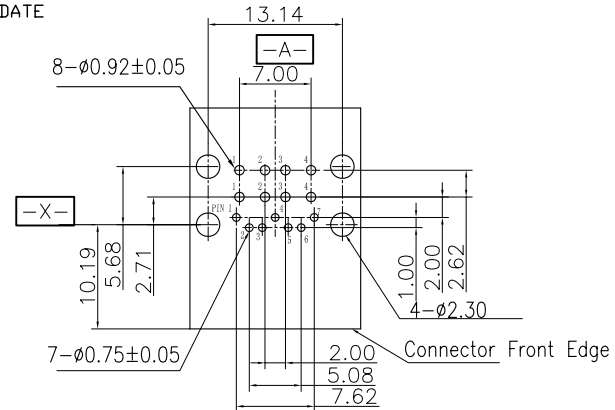
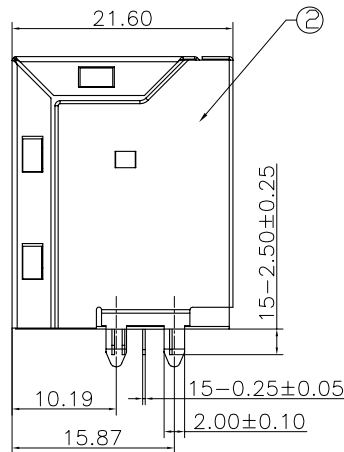
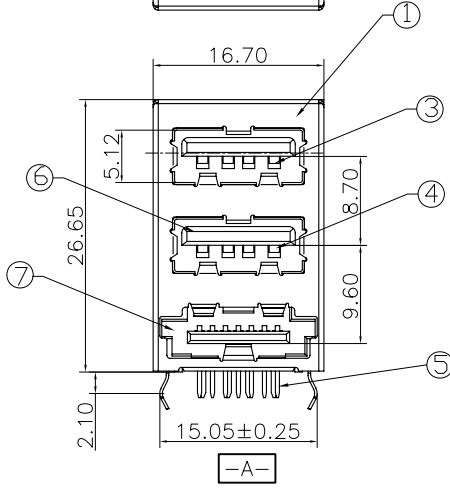
正式图 参考图 CUSTOMER DRAWING
The requirements of environmental protection
ROHS2 Halogen free

Mark	ECN NO.	DESCRIPTION	DESIGN	Date:
△1	EN131027-001	增加材質標注	ZENG YU	2013-10-27
△2	EN140121-001	修改噴碼位置	David Zhou	2014-01-23



DATE CODE
△1
YYMMDD

DATE CODE
YYMMDD
YEAR MONTH DATE



P.C.B LAYOUT (TOP VIEW)
THE DEFAULT TOL:±0.10

4	D0	PA66 30%G/F UL94V-0	Choose P/N	RoHS2 Fit	△1
3	D6	PA66 30%G/F UL94V-0	Choose P/N	RoHS2&H.F Fit	
2	B4	PBT 30%G/F UL94V-0	Choose P/N	RoHS2&H.F Fit	
1	B0	PBT 30%G/F UL94V-0	Choose P/N	RoHS2 Fit	
NO.CODE		MATERIAL	COLOR	REMARK	

TABLE A : Plactical Material

P/N:

GZXXXXXX-XXXX-XXXXXXX

Model P/N

Plactical Material (Choose From Table A)

Color Code

- 01:Black
- 02:Red
- 03:White
- 05:Black+Black+Red

Typ

- 2E:usb2.0+eSATA;
- 3E:usb3.0+eSATA.

Product salt mist

- A:Normal;
- B:24Hours;
- C:48Hours;
- D:72Hours;

Packing

- B:Tray; R:Tape reel; T:Tube.

Remark

- 0:Normal;
- H:Spcc-sd;Plating:Cu40u"+Ni80u"+MATTE Tin80u"
- C:Brass C2680;Plating:Ni80u"+MATTE Tin80u"
- S:SUS;No plating;
- L:SPIE;No plating.

Shell Material

- 0:Normal;
- H:Spcc-sd;Plating:Cu40u"+Ni80u"+MATTE Tin80u"
- C:Brass C2680;Plating:Ni80u"+MATTE Tin80u"
- S:SUS;No plating;
- L:SPIE;No plating.

Plating Code

- 0:Bright Tin;
- 1:CONTACT AREA:GOLD FALSH,SOLDER AREA:GOLD FALSH
- 2:CONTACT AREA:3U"GOLD,SOLDER AREA:GOLD FALSH
- 3:CONTACT AREA:15U"GOLD,SOLDER AREA:GOLD FALSH
- 4:CONTACT AREA:30U"GOLD,SOLDER AREA:GOLD FALSH
- A:CONTACT AREA:GOLD FALSH,SOLDER AREA:MATTE TIN80U"
- B:CONTACT AREA:3U"GOLD,SOLDER AREA:MATTE TIN80U"
- C:CONTACT AREA:5U"GOLD,SOLDER AREA:MATTE TIN80U"
- D:CONTACT AREA:10U"GOLD,SOLDER AREA:MATTE TIN80U"
- E:CONTACT AREA:15U"GOLD,SOLDER AREA:MATTE TIN80U"
- F:CONTACT AREA:20U"GOLD,SOLDER AREA:MATTE TIN80U"
- G:CONTACT AREA:30U"GOLD,SOLDER AREA:MATTE TIN80U"

NOTES:

- 1.Rating:DC30V 1.5A(1A for mini-B);
- 2.Contact Resistance:≤30Milliohm(50Milliohm for mini-B);
- 3.Insulation Resistance:≥1000Megohm;
- 4.Withstand Voltage:AC500V for one minute;
- 5.Insertion force:35N Max,Extraction force:10N min (7N Min for mini-B).
- 6.Life test:1500 Cycles(5000Cycles for mini-B);
- 7.Operating Temperature:-55°C~+105°C 85%RH Max;
- 8.Storage Temperature:-55°C~+105°C 85%RH Max.

8	cover	1	Choose from Table A	Black	X
7	eSATA housing	1	Choose from Table A	Red	X
6	USB housing	1	Choose from Table A	Black	X
5	eSATA terminal	7	C2680R-EH	Choose from P/N	X
4	USB short terminal	4	C2680R-EH	Choose from P/N	X
3	USB long terminal	4	C2680R-EH	Choose from P/N	X
2	Back shell	1	Choose from P/N	Choose from P/N	X
1	Front shell	1	SUS304	No Plating	X
NO.	DESCRIPTION	QTY	PARTS MATERIAL	PLATING OR COLOR	REMARK

Tolerance	MODEL NAME:USB2.0+eSATA	DRAWING: Miao Xue Ting
X.X ±0.30	MODEL No: GZ9002W-XXXX-XXXXXXX	CHECKED: Zeng Yu
X.XX ±0.20	REVISION	APPROVED Xiao Zhong Bo
X.XXX ±0.10	SCALE:1:1	DATE: 2013.10.11
Angle ±3.0°	02	1/1
UNIT:mm	菱揚精密有限公司 Ling Yang Precision Co.,Ltd	FILE: XZB/LINGYANG
		DWG NO:GZ9002W-A001.