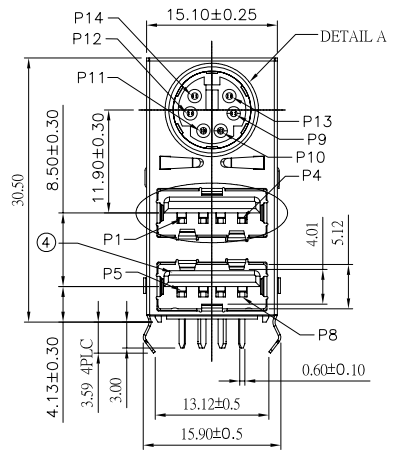
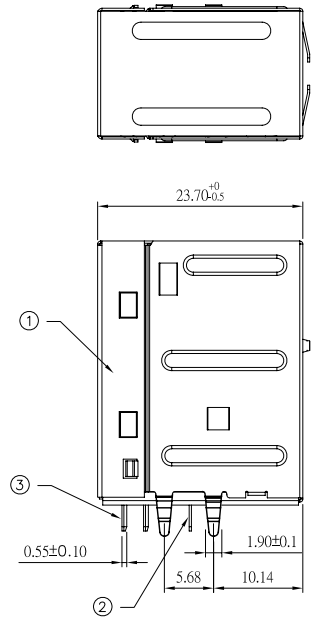
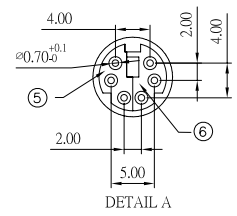
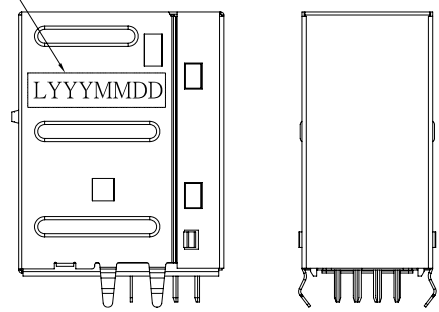


正式图 参考图 CUSTOMER DRAWING  
The requirements of environmental protection  
ROHS2 Halogen free

Mark	ECN NO.	DESCRIPTION	DESIGN	Date:
—	—	INITIAL RELEASE	Carlyle xu	2015.01.20



LOGO區印字以標準印塊字為準



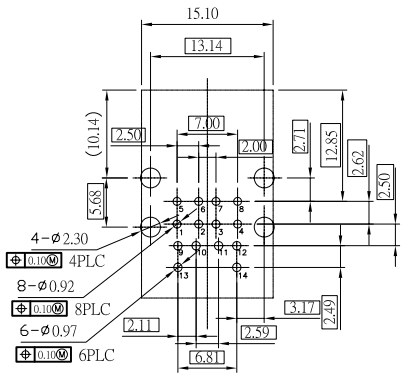
5					
4					
3	D0	PA66 30%G/F UL94V-0	SEE P/N	RoHS2 Fit	
2	B4	PBT 30%G/F UL94V-0	SEE P/N	RoHS2&H.F Fit	
1	B0	PBT 30%G/F UL94V-0	SEE P/N	RoHS2 Fit	
	NO.CODE	MATERIAL	COLOR	REMARK	

TABLE A : Plastical Material

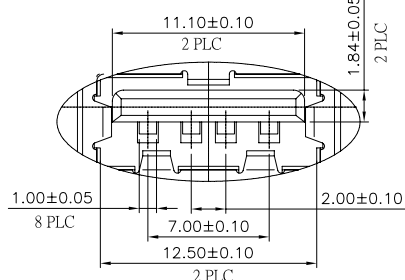
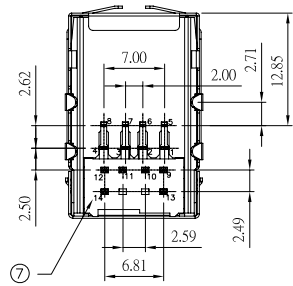
59	2715C	3395C							
01	BLK	BLK							
	A	B							

TABLE B : Color Code of Washer

WHITE (E5)	BLU-BLUE (E6)	BRS-BROWN (E6)	2715C (E6)
YEL-YELLOW (E6)	ORG-ORANGE (E6)	BRS-BROWN (E6)	3395C (E6)
GRN-GREEN (E6)	GRY-GRAY (E6)	R7111 (E6)	
BLK-BLACK (E6)	RED-RED (E6)		



RECOMMENDED PCB LAYOUT  
TOP VIEW  
TOLERANCE:±0.05mm



DETAIL B  
SCALE 2:1

P/N:

GZXXXXX-XXXX-BOXXXOB

- Model P/N
- Plastical Material (Choose From Table A)
- Housing Color (Choose From Table B)
- Product salt mist
  - A:Normal;
  - B:24Hours;
  - C:48Hours;
  - D:72Hours;
- Packing
  - B:Tray;
- Remark
  - 0:Normal;
- Shell Material
  - S:SUS;
- Plating Code
  - A:CONTACT AREA:GOLD FALSH,
  - SOLDER AREA:MATTE TIN80U"MIN.

NO.	DESCRIPTION	QTY	PARTS MATERIAL	PLATING OR COLOR	REMARK
7	COVER	1	Choose from tableA	Black	X
6	MID HOUSING	1	Choose from tableA	Green	X
5	MID BEAD-HOUSING	1	Choose from tableA	Purple	X
4	USB HOUSING	2	Choose from tableA	Black	X
3	MID CONTACTS	6	C2680 T=0.20mm	Ni30u"MIN.+Au 1u" On contact area+Tin:100u"	Choose from P/N
2	USB CONTACTS	8	C2680 T=0.25mm	Ni30u"MIN.+Au 1u" On contact area+Tin:100u"	Choose from P/N
1	SHELL	1	SUS304	Ni20u"MIN.+MATTE Tin60u"MIN.	t=0.25mm

Tolerance	MODEL NAME: MID TO DOUBLE-DECK USB2.0	DRAWING: Carlyle Xu
X.X ±0.30	MODEL No: GZ3520W-XXXX-XXXXXXX	CHECKED: David Zhou
X.XX ±0.20	SCALE:1:1	APPROVED: Jacky Lee
X.XXX ±0.10	REVISION A0	DATE: 2015-01-20
Angle ±3.0°	SHEET 1/1	FILE: CD/LINGYANG
UNIT:mm	菱揚精密有限公司 Ling Yang Precision Co.,Ltd	DWG NO. GZ3520W-A001