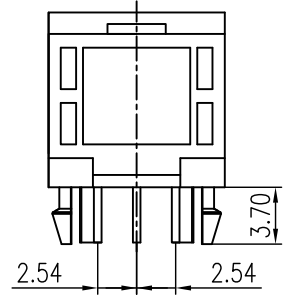
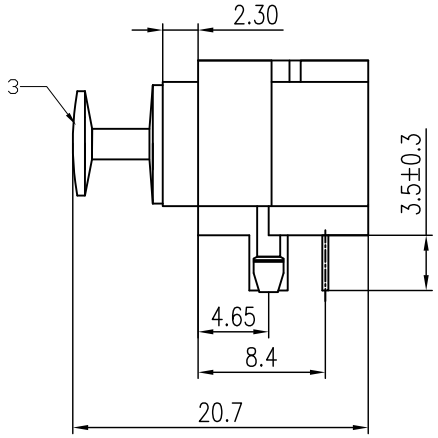
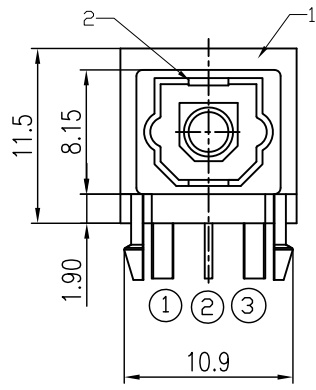


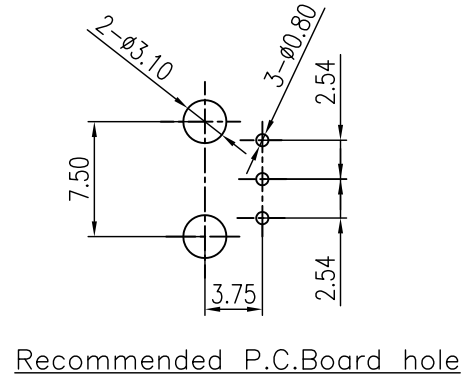
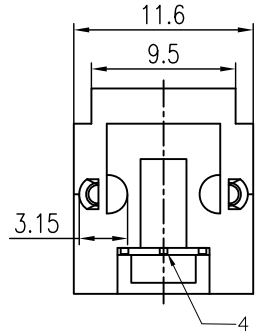
正式图 参考图 CUSTOMER DRAWING  
The requirements of environmental protection  
ROHS2 Halogen free

Mark	ECN NO.	DESCRIPTION	DESIGN	Date:
—	—	NEW VERSION	David Zhou	2013.12.26



NOTES:  
 1.Signal transmission speed:Max25Mbps  
 2. Operating voltage:2.7 to5.5v  
 3. TTLand high C-MOS LOGIC compatible  
 4. Low power consumption  
 5. Operating temperature:-20° to 70°  
 6. Storage temperature:-30° to 80°  
 7.Soldering temperature:260°,time for 5s

Pin Function	
Tx	Rx
① Vin	① Vcc
② Vcc	② GND
③ GND	③ Vout



P/N: TR1018A-XXXX-00A0XXB

MODEL NO: \_\_\_\_\_ PACKING:TRAY

SIGNAL SPEC:  
 T0:TRANSMIT SPEED 16Mbps  
 T1:TRANSMIT SPEED 25Mbps  
 R0:RECEIVE SPEED 16Mbps  
 R1:RECEIVE SPEED 25Mbps

PLASTIC MATERIAL  
 B0:PBT 30%G/F UL94V-0  
 D0:PA66 30%G/F UL94V-0

AUTOMATIC DOOR COLOR  
 01:BLACK  
 08:GRAY  
 10:ORANGE1575C

NO.	DESCRIPTION	QTY	MATERIAL	PLATING OR COLOR
5	OPTICAL FIBER	1	_____	Ag
4	SPRING COIL	1	STAINLESS STEEL	_____
3	AUTOMATIC DOOR	1	CHOOSE FROM P/N:	CHOOSE FROM P/N:
2	COVER	1	CHOOSE FROM P/N:	BLACK
1	HOUSING	1	CHOOSE FROM P/N:	BLACK

TABLE E : Parts of Product

Tolerance X.X ±0.30 X.XX ±0.20 X.XXX ±0.10 Angle ±3.0°	MODEL NAME:OPTICAL JACK	DRAWING: David Zhou	
	MODEL No:TR1018A-XXXX-00A0XXB	CHECKED: David Zhou	
SCALE:1:1 REVISION A0 SHEET 1/1	APPROVED:Jacky Lee		DATE: 2013.12.26
	菱揚精密有限公司 Ling Yang Precision Co.,Ltd		FILE:CD/LINGYANG
UNIT:mm			DWG NO. TR1018A-A001