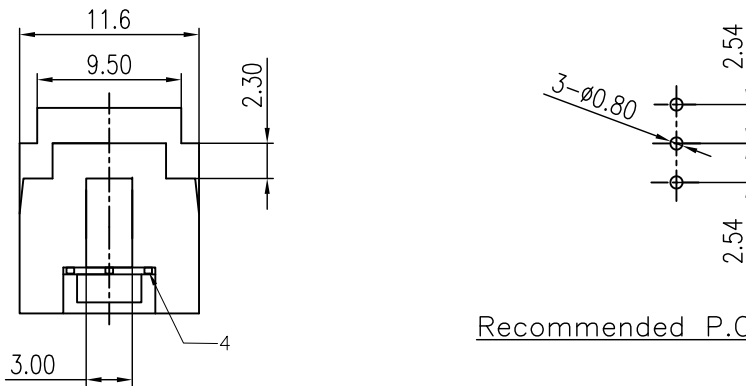


NOTES:

- 1.Signal transmission speed:Max25Mbps
2. Operating voltage:2.7 to5.5v
3. TTLand high C-MOS LOGIC compatible
4. Low power consumption
5. Operating temperature:-20° to 70°
6. Storage temperature:-30° to 80°
- 7.Soldering temperature:260°,time for 5s

Pin Function	
Tx	Rx
① Vin	① Vcc
② Vcc	② GND
③ GND	③ Vout



Recommended P.C.Board hole

P/N:

TR1018B-XXXX-00A0XXB

MODEL NO: TR1018B-XXXX-00A0XXB
 PACKING:TRAY
 SIGNAL SPEC:
 □T0:TRANSMIT SPEED 16Mbps
 □T1:TRANSMIT SPEED 25Mbps
 □R0:RECEIVE SPEED 16Mbps
 □R1:RECEIVE SPEED 25Mbps
 PLASTIC MATERIAL:
 □B0:PBT 30%G/F UL94V-0
 □D0:PA66 30%G/F UL94V-0
 AUTOMATIC DOOR COLOR:
 □01:BLACK
 □08:GRAY
 □10:ORANGE1575C

NO.	DESCRIPTION	QTY	MATERIAL	PLATING OR COLOR
5	OPTICAL FIBER	1	—	Ag
4	SPRING COIL	1	STAINLESS STEEL	—
3	AUTOMATIC DOOR	1	CHOOSE FROM P/N:	CHOOSE FROM P/N:
2	COVER	1	CHOOSE FROM P/N:	BLACK
1	HOUSING	1	CHOOSE FROM P/N:	BLACK

TABLE E : Parts of Product

Tolerance X.X ±0.30 X.XX ±0.20 X.XXX ±0.10 Angle ±3.0°	MODEL NAME:OPTICAL JACK		DRAWING: David Zhou	
	MODEL No:TR1018B-XXXX-00A0XXB		CHECKED: David Zhou	
SCALE:1:1 REVISION A0 SHEET 1/1	APPROVED:Jacky Lee		DATE: 2013.12.26	
	菱揚精密有限公司 Ling Yang Precision Co.,Ltd		FILE:CD/LINGYANG	
UNIT:mm			DWG NO. TR1018B-A001	