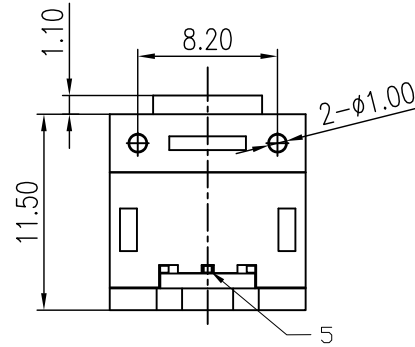
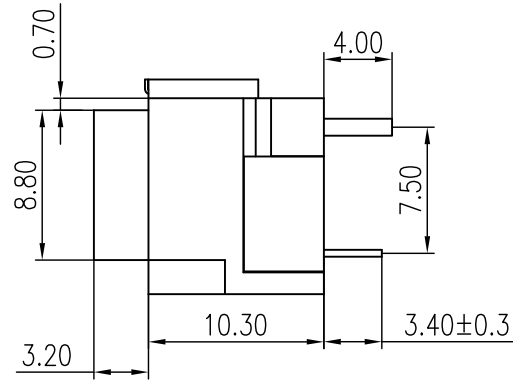
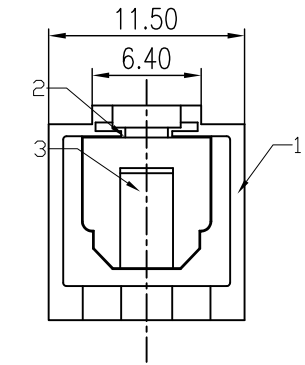


正式图 参考图 CUSTOMER DRAWING  
The requirements of environmental protection  
ROHS2 Halogen free

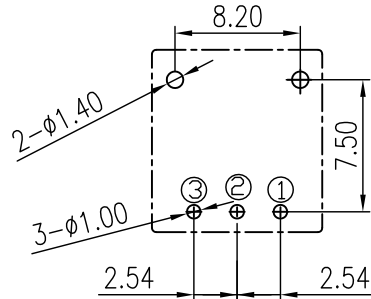
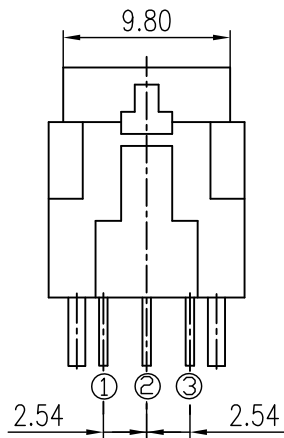
Mark	ECN NO.	DESCRIPTION	DESIGN	Date:
—	—	NEW VERSION	David Zhou	2013.12.25



NOTES:

- 1.Signal transmission speed:Max25Mbps
2. Operating voltage:2.7 to5.5v
3. TTLand high C-MOS LOGIC compatible
4. Low power consumption
5. Operating temperature:-20° to 70°
6. Storage temperature:-30° to 80°
- 7.Soldering temperature:260°,time for 5s

Pin Function	
Tx	Rx
① Vin	① Vcc
② Vcc	② GND
③ GND	③ Vout



Recommended P.C.Board hole

P/N:

TR1023W-XXXX-00A0XXB

MODEL NO: \_\_\_\_\_ PACKING:TRAY  
SIGNAL SPEC:  
 T0:TRANSMIT SPEED 16Mbps  
 T1:TRANSMIT SPEED 25Mbps  
 R0:RECEIVE SPEED 16Mbps  
 R1:RECEIVE SPEED 25Mbps

PLASTIC MATERIAL:  
 B0:PBT 30%G/F UL94V-0  
 D0:PA66 30%G/F UL94V-0

AUTOMATIC DOOR COLOR:  
 01:BLACK  
 08:GRAY  
 10:ORANGE1575C

NO.	DESCRIPTION	QTY	MATERIAL	PLATING OR COLOR
5	OPTICAL FIBER	1	_____	Ag
4	SPRING COIL	1	STAINLESS STEEL	_____
3	AUTOMATIC DOOR	1	CHOOSE FROM P/N:	CHOOSE FROM P/N:
2	COVER	1	CHOOSE FROM P/N:	BLACK
1	HOUSING	1	CHOOSE FROM P/N:	BLACK

TABLE E : Parts of Product

Tolerance X.X ±0.30 X.XX ±0.20 X.XXX ±0.10 Angle ±3.0°	MODEL NAME:OPTICAL JACK MODEL No:TR1023W-XXXX-00A0XXB	DRAWING: David Zhou CHECKED: David Zhou
UNIT:mm	SCALE:1:1 REVISION A0 SHEET 1/1	APPROVED:Jacky Lee DATE: 2013.12.25
	菱揚精密有限公司 Ling Yang Precision Co.,Ltd	FILE:CD/LINGYANG DWG NO. TR1023W-A001