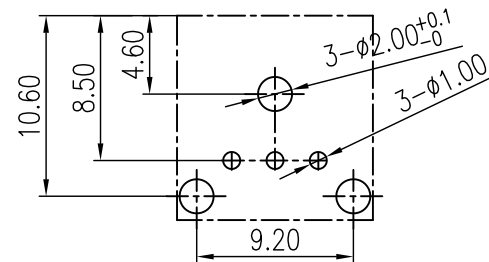
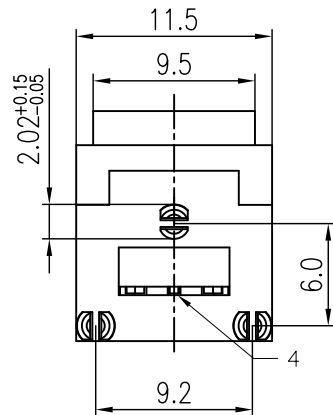


NOTES:

- 1.Signal transmission speed:Max25Mbps
2. Operating voltage:2.7 to5.5v
3. TTLand high C-MOS LOGIC compatible
4. Low power consumption
5. Operating temperature:-20° to 70°
6. Storage temperature:-30° to 80°
- 7.Soldering temperature:260°,time for 5s

| Pin Function | |
|--------------|--------|
| Tx | Rx |
| ① Vin | ① Vcc |
| ② Vcc | ② GND |
| ③ GND | ③ Vout |



Recommended P.C.Board hole

P/N:

TR1025A-XXXX-00A0XXB

- MODEL NO: TR1025A-XXXX-00A0XXB
- PACKING:TRAY
- SIGNAL SPEC:
 - T0:TRANSMIT SPEED 16Mbps
 - T1:TRANSMIT SPEED 25Mbps
 - R0:RECEIVE SPEED 16Mbps
 - R1:RECEIVE SPEED 25Mbps
- PLASTIC MATERIAL:
 - B0:PBT 30%G/F UL94V-0
 - D0:PA66 30%G/F UL94V-0
- AUTOMATIC DOOR COLOR:
 - 01:BLACK
 - 08:GRAY
 - 10:ORANGE1575C

| NO. | DESCRIPTION | QTY | MATERIAL | PLATING OR COLOR |
|-----|---------------|-----|---------------------|------------------|
| 5 | OPTICAL FIBER | 1 | — | Ag |
| 4 | SPRING COIL | 1 | STAINLESS STEEL | — |
| 3 | BASE | 1 | PA66 30%G/F UL94V-0 | BLACK |
| 2 | GATE | 1 | PA66 30%G/F UL94V-0 | CHOOSE FROM P/N: |
| 1 | HOUSING | 1 | PA66 30%G/F UL94V-0 | BLACK |

TABLE E : Parts of Product

| | | |
|-------------|---|----------------------|
| Tolerance | MODEL NAME:OPTICAL JACK | DRAWING: David Zhou |
| X.X ±0.30 | MODEL No:TR1025A-XXXX-00A0XXB | CHECKED: David Zhou |
| X.XX ±0.20 | SCALE:1:1 | APPROVED:Jacky Lee |
| X.XXX ±0.10 | REVISION A0 | DATE: 2013.12.25 |
| Angle ±3.0° | SHEET 1/1 | FILE:CD/LINGYANG |
| UNIT:mm | 菱揚精密有限公司 Ling Yang Precision Co.,Ltd | DWG NO. TR1025A-A001 |